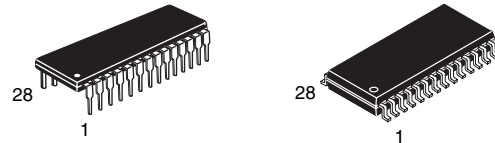


MC145151-2
MC145152-2



Package Information

P Suffix
 Plastic DIP
 Case 710

DW Suffix
 SOG Package
 Case 751F

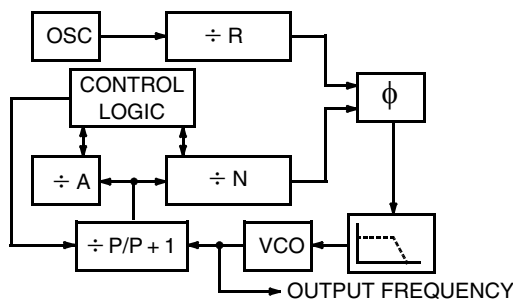
MC145151-2 and
MC145152-2

PLL Frequency Synthesizers
(CMOS)

The devices described in this document are typically used as low-power, phase-locked loop frequency synthesizers. When combined with an external low-pass filter and voltage-controlled oscillator, these devices can provide all the remaining functions for a PLL frequency synthesizer operating up to the device's frequency limit. For higher VCO frequency operation, a down mixer or a prescaler can be used between the VCO and the synthesizer IC.

These frequency synthesizer chips can be found in the following and other applications:

- CATV
- AM/FM Radios
- Two-Way Radios
- TV Tuning
- Scanning Receivers
- Amateur Radio



Ordering Information

| Device | Package |
|-------------|-------------|
| MC145151P2 | Plastic DIP |
| MC145151DW2 | SOG Package |
| MC145152P2 | Plastic DIP |
| MC145152DW2 | SOG Package |

Contents

1 MC145151-2 Parallel-Input (Interfaces with Single-Modulus Prescalers) 2

1.1 Features 2

1.2 Pin Descriptions 3

1.3 Typical Applications 6

2 MC145152-2 Parallel-Input (Interfaces with Dual-Modulus Prescalers) 7

2.1 Features 7

2.2 Pin Descriptions 8

2.3 Typical Applications 10

3 MC145151-2 and MC145152-2 Electrical Characteristics 12

4 Design Considerations 18

4.1 Phase-Locked Loop — Low-Pass Filter Design 18

4.2 Crystal Oscillator Considerations 19

4.3 Dual-Modulus Prescaling 21

5 Package Dimensions 23

Freescale reserves the right to change the detail specifications as may be required to permit improvements in the design of its products.
 © Freescale Semiconductor, Inc., 2004. All rights reserved.

1 MC145151-2 Parallel-Input (Interfaces with Single-Modulus Prescalers)

The MC145151-2 is programmed by 14 parallel-input data lines for the N counter and three input lines for the R counter. The device features consist of a reference oscillator, selectable-reference divider, digital-phase detector, and 14-bit programmable divide-by-N counter.

The MC145151-2 is an improved-performance drop-in replacement for the MC145151-1. The power consumption has decreased and ESD and latch-up performance have improved.

1.1 Features

- Operating Temperature Range: - 40 to 85°C
- Low Power Consumption Through Use of CMOS Technology
- 3.0 to 9.0 V Supply Range
- On- or Off-Chip Reference Oscillator Operation
- Lock Detect Signal
- ÷ N Counter Output Available
- Single Modulus/Parallel Programming
- 8 User-Selectable ÷ R Values: 8, 128, 256, 512, 1024, 2048, 2410, 8192
- ÷ N Range = 3 to 16383
- “Linearized” Digital Phase Detector Enhances Transfer Function Linearity
- Two Error Signal Options: Single-Ended (Three-State) or Double-Ended
- Chip Complexity: 8000 FETs or 2000 Equivalent Gates

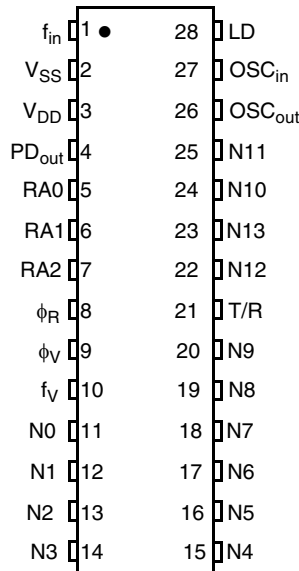
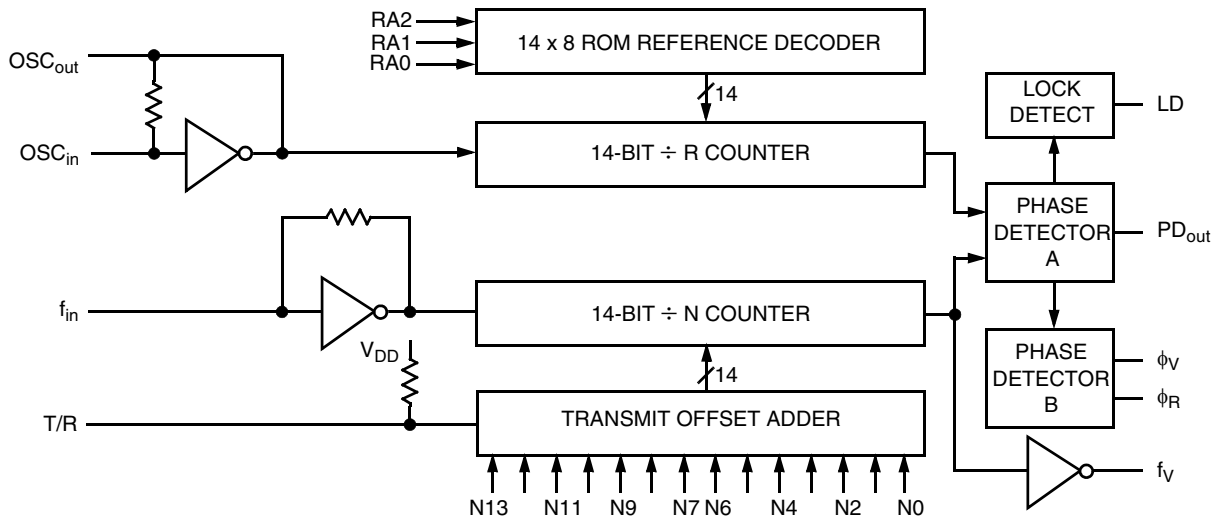


Figure 1. MC145151-2 Pin Assignment



NOTE: N0 - N13 inputs and inputs RA0, RA1, and RA2 have pull-up resistors that are not shown.

Figure 2. MC145151-2 Block Diagram

1.2 Pin Descriptions

1.2.1 Input Pins

f_{in} Frequency Input (Pin 1)

Input to the $\div N$ portion of the synthesizer. f_{in} is typically derived from loop VCO and is ac coupled into the device. For larger amplitude signals (standard CMOS logic levels) dc coupling may be used.

RA0 - RA2 Reference Address Inputs (Pins 5, 6, 7)

These three inputs establish a code defining one of eight possible divide values for the total reference divider, as defined by the table below.

Pull-up resistors ensure that inputs left open remain at a logic 1 and require only a SPST switch to alter data to the zero state.

| Reference Address Code | | | Total Divide Value |
|------------------------|-----|-----|--------------------|
| RA2 | RA1 | RA0 | |
| 0 | 0 | 0 | 8 |
| 0 | 0 | 1 | 128 |
| 0 | 1 | 0 | 256 |
| 0 | 1 | 1 | 512 |
| 1 | 0 | 0 | 1024 |
| 1 | 0 | 1 | 2048 |
| 1 | 1 | 0 | 2410 |
| 1 | 1 | 1 | 8192 |

N0 - N11**N Counter Programming Inputs (Pins 11 - 20, 22 - 25)**

These inputs provide the data that is preset into the $\div N$ counter when it reaches the count of zero. N0 is the least significant and N11 is the most significant. Pull-up resistors ensure that inputs left open remain at a logic 1 and require only an SPST switch to alter data to the zero state.

T/R**Transmit/Receive Offset Adder Input (Pin 21)**

This input controls the offset added to the data provided at the N inputs. This is normally used for offsetting the VCO frequency by an amount equal to the IF frequency of the transceiver. This offset is fixed at 856 when T/R is low and gives no offset when T/R is high. A pull-up resistor ensures that no connection will appear as a logic 1 causing no offset addition.

OSC_{in}, OSC_{out}**Reference Oscillator Input/Output (Pins 27, 26)**

These pins form an on-chip reference oscillator when connected to terminals of an external parallel resonant crystal. Frequency setting capacitors of appropriate value must be connected from OSC_{in} to ground and OSC_{out} to ground. OSC_{in} may also serve as the input for an externally-generated reference signal. This signal is typically ac coupled to OSC_{in}, but for larger amplitude signals (standard CMOS logic levels) dc coupling may also be used. In the external reference mode, no connection is required to OSC_{out}.

1.2.2 Output Pins**PD_{out}****Phase Detector A Output (Pin 4)**

Three-state output of phase detector for use as loop-error signal. Double-ended outputs are also available for this purpose (see ϕ_V and ϕ_R).

Frequency $f_V > f_R$ or f_V Leading: Negative Pulses

Frequency $f_V < f_R$ or f_V Lagging: Positive Pulses

Frequency $f_V = f_R$ and Phase Coincidence: High-Impedance State

 ϕ_R, ϕ_V **Phase Detector B Outputs (Pins 8, 9)**

These phase detector outputs can be combined externally for a loop-error signal. A single-ended output is also available for this purpose (see **PD_{out}**).

If frequency f_V is greater than f_R or if the phase of f_V is leading, then error information is provided by ϕ_V pulsing low. ϕ_R remains essentially high.

If the frequency f_V is less than f_R or if the phase of f_V is lagging, then error information is provided by ϕ_R pulsing low. ϕ_V remains essentially high.

If the frequency of $f_V = f_R$ and both are in phase, then both ϕ_V and ϕ_R remain high except for a small minimum time period when both pulse low in phase.

f_V **N Counter Output (Pin 10)**

This is the buffered output of the $\div N$ counter that is internally connected to the phase detector input. With this output available, the $\div N$ counter can be used independently.

LD**Lock Detector Output (Pin 28)**

Essentially a high level when loop is locked (f_R , f_V of same phase and frequency). Pulses low when loop is out of lock.

1.2.3 Power Supply

 V_{DD} **Positive Power Supply (Pin 3)**

The positive power supply potential. This pin may range from + 3 to + 9 V with respect to V_{SS} .

 V_{SS} **Negative Power Supply (Pin 2)**

The most negative supply potential. This pin is usually ground.

1.3 Typical Applications

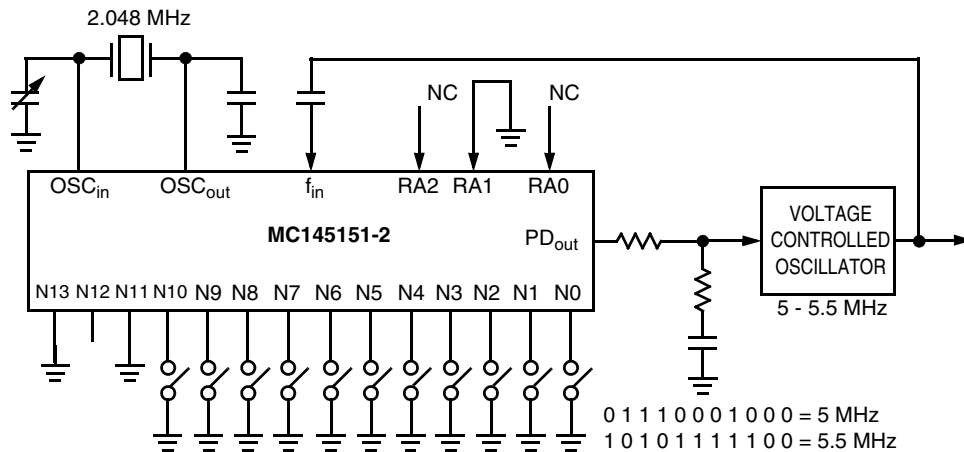
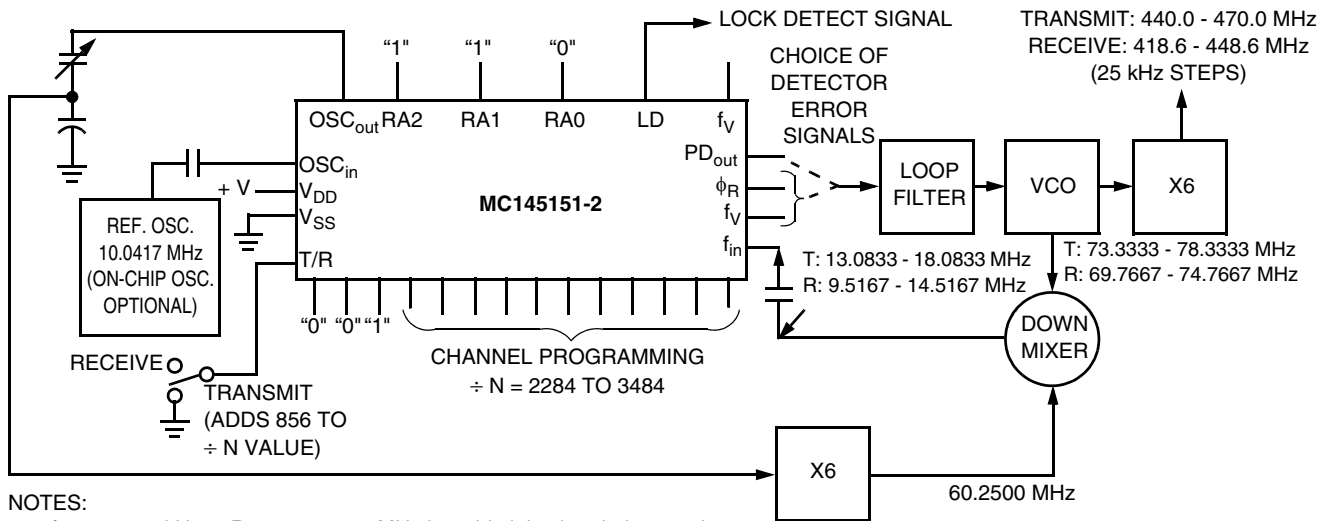


Figure 3. 5 MHz to 5.5 MHz Local Oscillator Channel Spacing = 1 kHz



NOTES:

1. $f_R = 4.1667 \text{ kHz}$; $\div R = 2410$; 21.4 MHz low side injection during receive.
2. Frequency values shown are for the 440 - 470 MHz band. Similar implementation applies to the 406 - 440 MHz band. For 470 - 512 MHz, consider reference oscillator frequency X9 for mixer injection signal (90.3750 MHz).

Figure 4. Synthesizer for Land Mobile Radio UHF Bands

2 MC145152-2 Parallel-Input (Interfaces with Dual-Modulus Prescalers)

The MC145152-2 is programmed by sixteen parallel inputs for the N and A counters and three input lines for the R counter. The device features consist of a reference oscillator, selectable-reference divider, two-output phase detector, 10-bit programmable divide-by-N counter, and 6-bit programmable divide-by-A counter.

The MC145152-2 is an improved-performance drop-in replacement for the MC145152-1. Power consumption has decreased and ESD and latch-up performance have improved.

2.1 Features

- Operating Temperature Range: -40 to 85°C
- Low Power Consumption Through Use of CMOS Technology
- 3.0 to 9.0 V Supply Range
- On- or Off-Chip Reference Oscillator Operation
- Lock Detect Signal
- Dual Modulus/Parallel Programming
- 8 User-Selectable $\div R$ Values: 8, 64, 128, 256, 512, 1024, 1160, 2048
- $\div N$ Range = 3 to 1023, $\div A$ Range = 0 to 63
- Chip Complexity: 8000 FETs or 2000 Equivalent Gates

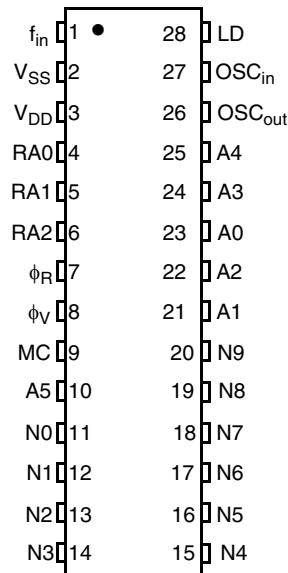
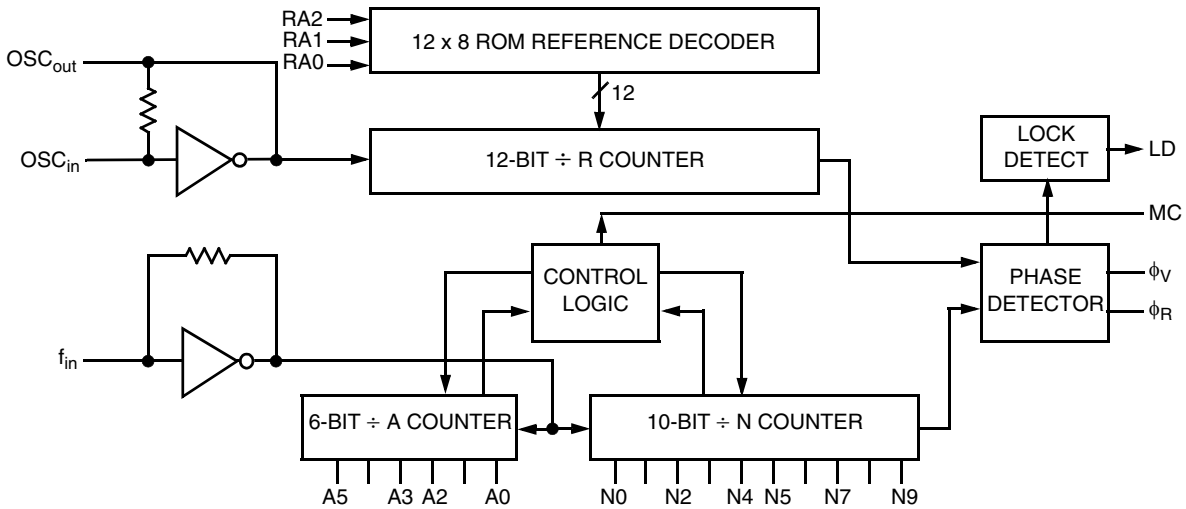


Figure 5. MC145152-2 Pin Assignment

MC145152-2 Parallel-Input (Interfaces with Dual-Modulus Prescalers)



NOTE: N0 - N9, A0 - A5, and RA0 - RA2 have pull-up resistors that are not shown.

Figure 6. MC145152-2 Block Diagram

2.2 Pin Descriptions

2.2.1 Input Pins

f_{in} Frequency Input (Pin 1)

Input to the positive edge triggered $\div N$ and $\div A$ counters. f_{in} is typically derived from a dual-modulus prescaler and is AC coupled into the device. For larger amplitude signals (standard CMOS logic levels) DC coupling may be used.

RA0, RA1, RA2 Reference Address Inputs (Pins 4, 5, 6)

These three inputs establish a code defining one of eight possible divide values for the total reference divider. The total reference divide values are as follows:

| Reference Address Code | | | Total Divide Value |
|------------------------|-----|-----|--------------------|
| RA2 | RA1 | RA0 | |
| 0 | 0 | 0 | 8 |
| 0 | 0 | 1 | 64 |
| 0 | 1 | 0 | 128 |
| 0 | 1 | 1 | 256 |
| 1 | 0 | 0 | 512 |
| 1 | 0 | 1 | 1024 |
| 1 | 1 | 0 | 1160 |
| 1 | 1 | 1 | 2048 |

N0 - N9**N Counter Programming Inputs (Pins 11 - 20)**

The N inputs provide the data that is preset into the $\div N$ counter when it reaches the count of 0. N0 is the least significant digit and N9 is the most significant. Pull-up resistors ensure that inputs left open remain at a logic 1 and require only a SPST switch to alter data to the zero state.

A0 - A5**A Counter Programming Inputs
(Pins 23, 21, 22, 24, 25, 10)**

The A inputs define the number of clock cycles of f_{in} that require a logic 0 on the MC output (see [Section 4.3, “Dual-Modulus Prescaling,” on page 21](#)). The A inputs all have internal pull-up resistors that ensure that inputs left open will remain at a logic 1.

OSC_{in}, OSC_{out}**Reference Oscillator Input/Output (Pins 27, 26)**

These pins form an on-chip reference oscillator when connected to terminals of an external parallel resonant crystal. Frequency setting capacitors of appropriate value must be connected from OSC_{in} to ground and OSC_{out} to ground. OSC_{in} may also serve as the input for an externally-generated reference signal. This signal is typically ac coupled to OSC_{in}, but for larger amplitude signals (standard CMOS logic levels) dc coupling may also be used. In the external reference mode, no connection is required to OSC_{out}.

2.2.2 Output Pins **ϕ_R, ϕ_V** **Phase Detector B Outputs (Pins 7, 8)**

These phase detector outputs can be combined externally for a loop-error signal.

If the frequency f_V is greater than f_R or if the phase of f_V is leading, then error information is provided by ϕ_V pulsing low. ϕ_R remains essentially high.

If the frequency f_V is less than f_R or if the phase of f_V is lagging, then error information is provided by ϕ_R pulsing low. ϕ_V remains essentially high.

If the frequency of $f_V = f_R$ and both are in phase, then both ϕ_V and ϕ_R remain high except for a small minimum time period when both pulse low in phase.

MC**Dual-Modulus Prescale Control Output (Pin 9)**

Signal generated by the on-chip control logic circuitry for controlling an external dual-modulus prescaler. The MC level will be low at the beginning of a count cycle and will remain low until the $\div A$ counter has counted down from its programmed value. At this time, MC goes high and remains high until the $\div N$ counter has counted the rest of the way down from its programmed value (N - A additional counts since both $\div N$ and $\div A$ are counting down during the first portion of the cycle). MC is then set back low, the counters preset to their respective programmed values, and the above sequence repeated. This provides for a total programmable divide value $(N_T) = N \cdot P + A$ where P and P + 1 represent the dual-modulus prescaler

MC145152-2 Parallel-Input (Interfaces with Dual-Modulus Prescalers)

divide values respectively for high and low MC levels, N the number programmed into the $\div N$ counter, and A the number programmed into the $\div A$ counter.

LD

Lock Detector Output (Pin 28)

Essentially a high level when loop is locked (f_R , f_V of same phase and frequency). Pulses low when loop is out of lock.

2.2.3 Power Supply

V_{DD}

Positive Power Supply (Pin 3)

The positive power supply potential. This pin may range from +3 to +9 V with respect to V_{SS} .

V_{SS}

Negative Power Supply (Pin 2)

The most negative supply potential. This pin is usually ground.

2.3 Typical Applications

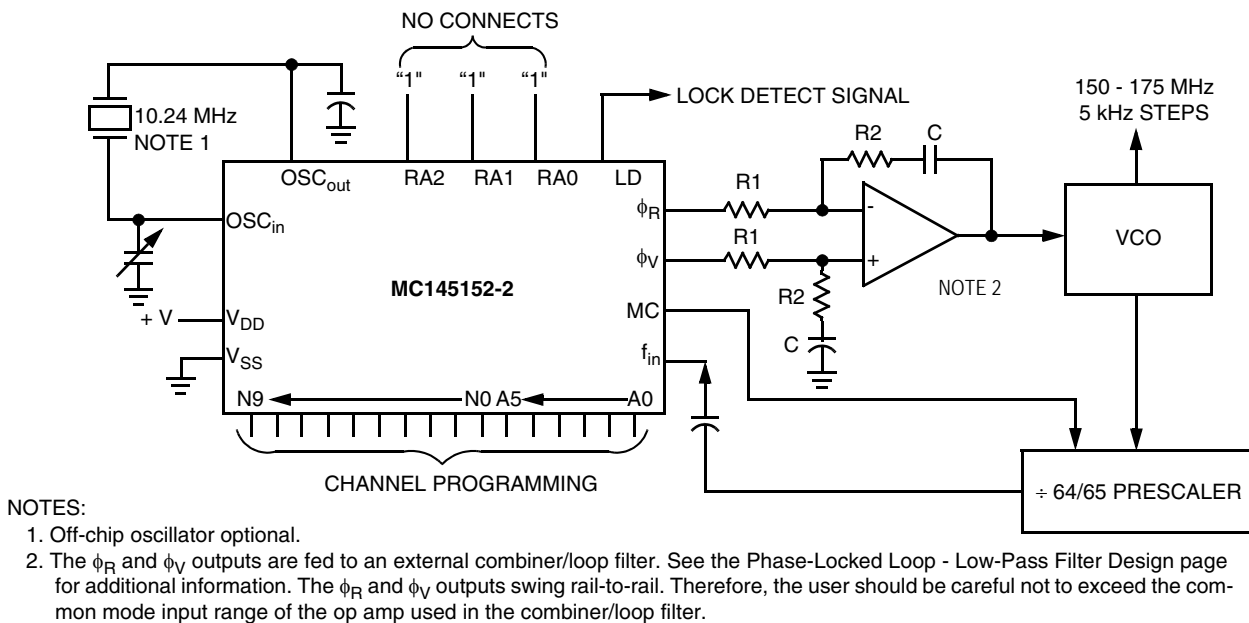


Figure 7. Synthesizer for Land Mobile Radio VHF Bands

3 MC145151-2 and MC145152-2 Electrical Characteristics

These devices contain protection circuitry to protect against damage due to high static voltages or electric fields. However, precautions must be taken to avoid applications of any voltage higher than maximum rated voltages to these high-impedance circuits. For proper operation, V_{in} and V_{out} should be constrained to the range $V_{SS} \leq (V_{in} \text{ or } V_{out}) \leq V_{DD}$ except for SW1 and SW2.

SW1 and SW2 can be tied through external resistors to voltages as high as 15 V, independent of the supply voltage.

Unused inputs must always be tied to an appropriate logic voltage level (e.g., either V_{SS} or V_{DD}), except for inputs with pull-up devices. Unused outputs must be left open.

Table 1. Maximum Ratings¹
(Voltages Referenced to VSS)

| Ratings | Symbol | Value | Unit |
|--|-------------------|-------------------------|------|
| DC Supply Voltage | V_{DD} | - 0.5 to + 10.0 | V |
| Input or Output Voltage (DC or Transient) except SW1, SW2 | V_{in}, V_{out} | - 0.5 to $V_{DD} + 0.5$ | V |
| Output Voltage (DC or Transient), SW1, SW2 ($R_{pull-up} = 4.7 \text{ k}\Omega$) | V_{out} | - 0.5 to + 15 | V |
| Input or Output Current (DC or Transient), per Pin | I_{in}, I_{out} | ± 10 | mA |
| Supply Current, V_{DD} or V_{SS} Pins | I_{DD}, I_{SS} | ± 30 | mA |
| Power Dissipation, per Package† | P_D | 500 | mW |
| Storage Temperature | T_{stg} | -65 to + 150 | °C |
| Lead Temperature, 1 mm from Case for 10 seconds | T_L | 260 | °C |

¹ Maximum Ratings are those values beyond which damage to the device may occur. Functional operation should be restricted to the limits in the Electrical Characteristics tables or Pin Descriptions section.

† Power Dissipation Temperature Derating:
Plastic DIP: - 12 mW/°C from 65 to 85°C
SOG Package: - 7 mW/°C from 65 to 85°C

Table 2. Electrical Characteristics
(Voltages Referenced to V_{SS})

| Symbol | Parameter | Test Condition | V_{DD} V | - 40°C | | 25°C | | 85°C | | Unit |
|----------|--|--|---------------|-------------------|---------------------|-------------------|---------------------|-------------------|----------------------|---------|
| | | | | Min | Max | Min | Max | Min | Max | |
| V_{DD} | Power Supply Voltage Range | | - | 3 | 9 | 3 | 9 | 3 | 9 | V |
| I_{SS} | Dynamic Supply Current | $f_{in} = OSC_{in} = 10$ MHz, 1 V p-p ac coupled sine wave $R = 128, A = 32, N = 128$ | 3 5 9 | - - - | 3.5 10 30 | - - - | 3 7.5 24 | - - - | 3 7.5 24 | mA |
| I_{SS} | Quiescent Supply Current (not including pull-up current component) | $V_{in} = V_{DD}$ or V_{SS} $I_{out} = 0$ μ A | 3 5 9 | - - - | 800 1200 1600 | - - - | 800 1200 1600 | - - - | 1600 2400 3200 | μ A |
| V_{in} | Input Voltage - f_{in} , OSC_{in} | Input ac coupled sine wave | - | 500 | - | 500 | - | 500 | - | mV p-p |
| V_{IL} | Low-Level Input Voltage - f_{in} , OSC_{in} | $V_{out} \geq 2.1$ V Input dc $V_{out} \geq 3.5$ V coupled $V_{out} \geq 6.3$ V square wave | 3 5 9 | - - - | 0 0 0 | - - - | 0 0 0 | - - - | 0 0 0 | V |
| V_{IH} | High-Level Input Voltage - f_{in} , OSC_{in} | $V_{out} \leq 0.9$ V Input dc $V_{out} \leq 1.5$ V coupled $V_{out} \leq 2.7$ V square wave | 3 5 9 | 3.0 5.0 9.0 | - - - | 3.0 5.0 9.0 | - - - | 3.0 5.0 9.0 | - - - | V |
| V_{IL} | Low-Level Input Voltage - except f_{in} , OSC_{in} | | 3 5 9 | - - - | 0.9 1.5 2.7 | - - - | 0.9 1.5 2.7 | - - - | 0.9 1.5 2.7 | V |
| V_{IH} | High-Level Input Voltage - except f_{in} , OSC_{in} | | 3 5 9 | 2.1 3.5 6.3 | - - - | 2.1 3.5 6.3 | - - - | 2.1 3.5 6.3 | - - - | V |
| I_{in} | Input Current (f_{in} , OSC_{in}) | $V_{in} = V_{DD}$ or V_{SS} | 9 | ± 2 | ± 50 | ± 2 | ± 25 | ± 2 | ± 22 | μ A |
| I_{IL} | Input Leakage Current (Data, CLK, ENB - without pull-ups) | $V_{in} = V_{SS}$ | 9 | - | - 0.3 | - | - 0.1 | - | - 1.0 | μ A |
| I_{IH} | Input Leakage Current (all inputs except f_{in} , OSC_{in}) | $V_{in} = V_{DD}$ | 9 | - | 0.3 | - | 0.1 | - | 1.0 | μ A |

Table 3. DC Electrical Characteristics

| Symbol | Parameter | Test Condition | V _{DD} V | - 40°C | | 25°C | | 85°C | | Unit |
|----------------------|--|--|----------------------|--------|-------|--------|-------|--------|-------|------|
| | | | | Min | Max | Min | Max | Min | Max | |
| I _{IL} | Pull-up Current (all inputs with pull-ups) | V _{in} = V _{SS} | 9 | - 20 | - 400 | - 20 | - 200 | - 20 | - 170 | μA |
| C _{in} | Input Capacitance | | - | - | 10 | - | 10 | - | 10 | pF |
| V _{OL} | Low-Level Output Voltage - OSC _{out} | I _{out} ≈ 0 μA V _{in} = V _{DD} | 3 | - | 0.9 | - | 0.9 | - | 0.9 | V |
| | | | 5 | - | 1.5 | - | 1.5 | - | 1.5 | |
| | | | 9 | - | 2.7 | - | 2.7 | - | 2.7 | |
| V _{OH} | High-Level Output Voltage - OSC _{out} | I _{out} ≈ 0 μA V _{in} = V _{SS} | 3 | 2.1 | - | 2.1 | - | 2.1 | - | V |
| | | | 5 | 3.5 | - | 3.5 | - | 3.5 | - | |
| | | | 9 | 6.3 | - | 6.3 | - | 6.3 | - | |
| V _{OL} | Low-Level Output Voltage - Other Outputs | I _{out} ≈ 0 μA | 3 | - | 0.05 | - | 0.05 | - | 0.05 | V |
| | | | 5 | - | 0.05 | - | 0.05 | - | 0.05 | |
| | | | 9 | - | 0.05 | - | 0.05 | - | 0.05 | |
| V _{OH} | High-Level Output Voltage - Other Outputs | I _{out} ≈ 0 μA | 3 | 2.95 | - | 2.95 | - | 2.95 | - | V |
| | | | 5 | 4.95 | - | 4.95 | - | 4.95 | - | |
| | | | 9 | 8.95 | - | 8.95 | - | 8.95 | - | |
| V _{(BR)DSS} | Drain-to-Source Breakdown Voltage - SW1, SW2 | R _{pull-up} = 4.7 kΩ | - | 15 | - | 15 | - | 15 | - | V |
| I _{OL} | Low-Level Sinking Current - MC | V _{out} = 0.3 V V _{out} = 0.4 V V _{out} = 0.5 V | 3 | 1.30 | - | 1.10 | - | 0.66 | - | mA |
| | | | 5 | 1.90 | - | 1.70 | - | 1.08 | - | |
| | | | 9 | 3.80 | - | 3.30 | - | 2.10 | - | |
| I _{OH} | High-Level Sourcing Current - MC | V _{out} = 2.7 V V _{out} = 4.6 V V _{out} = 8.5 V | 3 | - 0.60 | - | - 0.50 | - | - 0.30 | - | mA |
| | | | 5 | - 0.90 | - | - 0.75 | - | - 0.50 | - | |
| | | | 9 | - 1.50 | - | - 1.25 | - | - 0.80 | - | |
| I _{OL} | Low-Level Sinking Current - LD | V _{out} = 0.3 V V _{out} = 0.4 V V _{out} = 0.5 V | 3 | 0.25 | - | 0.20 | - | 0.15 | - | mA |
| | | | 5 | 0.64 | - | 0.51 | - | 0.36 | - | |
| | | | 9 | 1.30 | - | 1.00 | - | 0.70 | - | |
| I _{OH} | High-Level Sourcing Current - LD | V _{out} = 2.7 V V _{out} = 4.6 V V _{out} = 8.5 V | 3 | - 0.25 | - | - 0.20 | - | - 0.15 | - | mA |
| | | | 5 | - 0.64 | - | - 0.51 | - | - 0.36 | - | |
| | | | 9 | - 1.30 | - | - 1.00 | - | - 0.70 | - | |
| I _{OL} | Low-Level Sinking Current - SW1, SW2 | V _{out} = 0.3 V V _{out} = 0.4 V V _{out} = 0.5 V | 3 | 0.80 | - | 0.48 | - | 0.24 | - | mA |
| | | | 5 | 1.50 | - | 0.90 | - | 0.45 | - | |
| | | | 9 | 3.50 | - | 2.10 | - | 1.05 | - | |
| I _{OL} | Low-Level Sinking Current - Other Outputs | V _{out} = 0.3 V V _{out} = 0.4 V V _{out} = 0.5 V | 3 | 0.44 | - | 0.35 | - | 0.22 | - | mA |
| | | | 5 | 0.64 | - | 0.51 | - | 0.36 | - | |
| | | | 9 | 1.30 | - | 1.00 | - | 0.70 | - | |
| I _{OH} | High-Level Sourcing Current - Other Outputs | V _{out} = 2.7 V V _{out} = 4.6 V V _{out} = 8.5 V | 3 | - 0.44 | - | - 0.35 | - | - 0.22 | - | mA |
| | | | 5 | - 0.64 | - | - 0.51 | - | - 0.36 | - | |
| | | | 9 | - 1.30 | - | - 1.00 | - | - 0.70 | - | |
| I _{OZ} | Output Leakage Current - PD _{out} | V _{out} = V _{DD} or V _{SS} Output in Off State | 9 | - | ± 0.3 | - | ± 0.1 | - | ± 1.0 | μA |
| I _{OZ} | Output Leakage Current - SW1, SW2 | V _{out} = V _{DD} or V _{SS} Output in Off State | 9 | - | ± 0.3 | - | ± 0.1 | - | ± 3.0 | μA |
| C _{out} | Output Capacitance - PD _{out} | PD _{out} - Three-State | - | - | 10 | - | 10 | - | 10 | pF |

Table 4. AC Electrical Characteristics
($C_L = 50$ pF, Input $t_r = t_f = 10$ ns)

| Symbol | Parameter | V _{DD} V | Guaranteed Limit 25°C | Guaranteed Limit -40 to 85°C | Unit |
|-------------------------------------|--|----------------------|------------------------------------|------------------------------------|------|
| t _{PLH} , t _{PHL} | Maximum Propagation Delay, f _{in} to MC (Figure 9a and Figure 9d) | 3 5 9 | 110 60 35 | 120 70 40 | ns |
| t _{PHL} | Maximum Propagation Delay, ENB to SW1, SW2 (Figure 9a and Figure 9e) | 3 5 9 | 160 80 50 | 180 95 60 | ns |
| t _w | Output Pulse Width, φ _R , φ _V , and LD with f _R in Phase with f _V (Figure 9b and Figure 9d) | 3 5 9 | 25 to 200 20 to 100 10 to 70 | 25 to 260 20 to 125 10 to 80 | ns |
| t _{TLH} | Maximum Output Transition Time, MC (Figure 9c and Figure 9d) | 3 5 9 | 115 60 40 | 115 75 60 | ns |
| t _{THL} | Maximum Output Transition Time, MC (Figure 9c and Figure 9d) | 3 5 9 | 60 34 30 | 70 45 38 | ns |
| t _{TLH} , t _{THL} | Maximum Output Transition Time, LD (Figure 9c and Figure 9d) | 3 5 9 | 180 90 70 | 200 120 90 | ns |
| t _{TLH} , t _{THL} | Maximum Output Transition Time, Other Outputs (Figure 9c and Figure 9d) | 3 5 9 | 160 80 60 | 175 100 65 | ns |

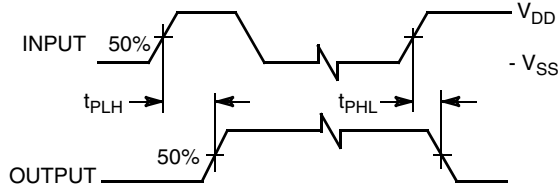


Figure 9a. Maximum Propagation Delay

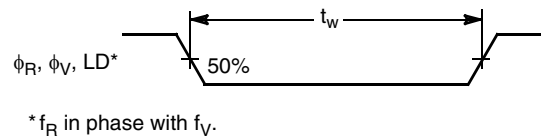


Figure 9b. Output Pulse Width

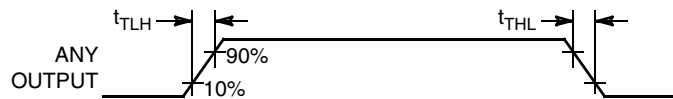


Figure 9c. Maximum Output Transition Time

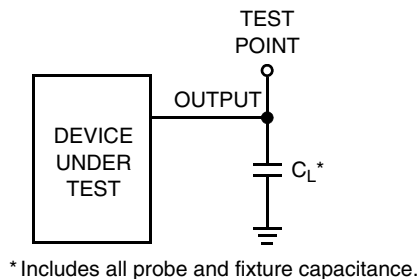


Figure 9d. Test Circuit

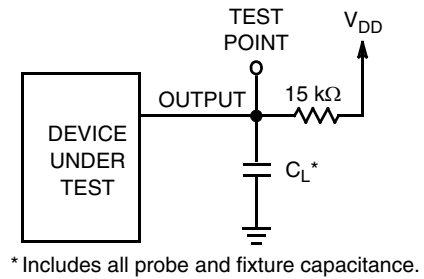
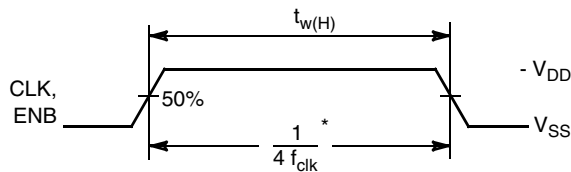


Figure 9e. Test Circuit

Figure 9. Switching Waveforms

Table 5. Timing Requirements
(Input $t_r = t_f = 10$ ns unless otherwise indicated)

| Symbol | Parameter | V _{DD} V | Guaranteed Limit 25°C | Guaranteed Limit - 40 to 85°C | Unit |
|---------------------------------|--|----------------------|------------------------------------|------------------------------------|------|
| f _{clk} | Serial Data Clock Frequency, Assuming 25% Duty Cycle NOTE: Refer to CLK t _{w(H)} below (Figure 10a) | 3 5 9 | dc to 5.0 dc to 7.1 dc to 10 | dc to 3.5 dc to 7.1 dc to 10 | MHz |
| t _{su} | Minimum Setup Time, Data to CLK (Figure 10b) | 3 5 9 | 30 20 18 | 30 20 18 | ns |
| t _h | Minimum Hold Time, CLK to Data (Figure 10b) | 3 5 9 | 40 20 15 | 40 20 15 | ns |
| t _{su} | Minimum Setup Time, CLK to ENB (Figure 10b) | 3 5 9 | 70 32 25 | 70 32 25 | ns |
| t _{rec} | Minimum Recovery Time, ENB to CLK (Figure 10b) | 3 5 9 | 5 10 20 | 5 10 20 | ns |
| t _{w(H)} | Minimum Pulse Width, CLK and ENB (Figure 10a) | 3 5 9 | 50 35 25 | 70 35 25 | ns |
| t _r , t _f | Maximum Input Rise and Fall Times - Any Input (Figure 10c) | 3 5 9 | 5 4 2 | 5 4 2 | μs |



*Assumes 25% Duty Cycle.

Figure 10a. Serial Data Clock Frequency and Minimum Pulse Width

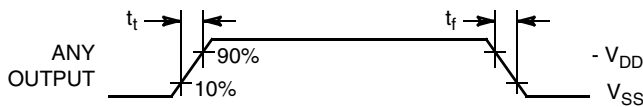


Figure 10c. Maximum Input Rise and Fall Times

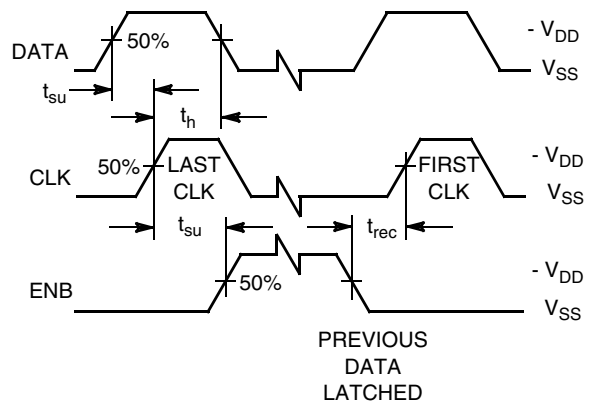


Figure 10b. Minimum Setup, Hold, and Recovery Times

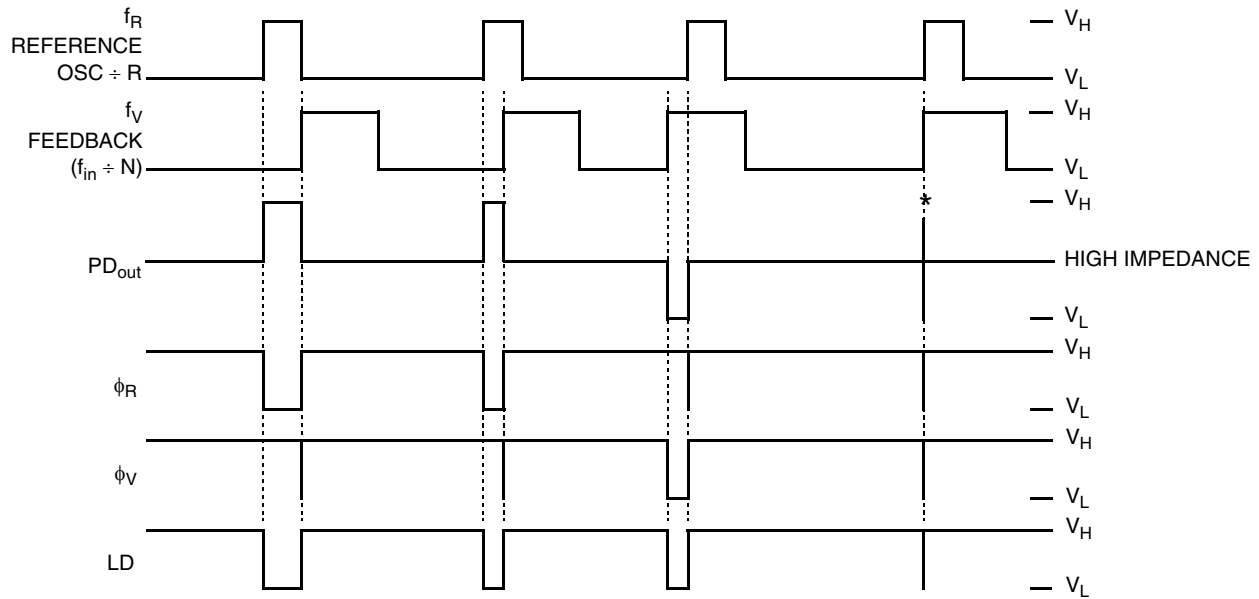
Figure 10. Switching Waveforms

Table 6. Frequency Characteristics

(Voltages References to V_{SS} , $C_L = 50$ pF, Input $t_r = t_f = 10$ ns unless otherwise indicated)

| Symbol | Parameter | Test Condition | V_{DD} V | - 40°C | | 25°C | | 85°C | | Unit |
|--------|---|---|---------------|--------|-----|------|-----|------|-----|------|
| | | | | Min | Max | Min | Max | Min | Max | |
| f_i | Input Frequency (f_{in} , OSC _{in}) | $R \geq 8$, $A \geq 0$, $N \geq 8$ $V_{in} = 500$ mV p-p ac coupled sine wave | 3 | - | 6 | - | 6 | - | 6 | MHz |
| | | | 5 | - | 15 | - | 15 | - | 15 | |
| | | | 9 | - | 15 | - | 15 | - | 15 | |
| | | $R \geq 8$, $A \geq 0$, $N \geq 8$ $V_{in} = 1$ V p-p ac coupled sine wave | 3 | - | 12 | - | 12 | - | 7 | MHz |
| | | | 5 | - | 22 | - | 20 | - | 20 | |
| | | | 9 | - | 25 | - | 22 | - | 22 | |
| | | $R \geq 8$, $A \geq 0$, $N \geq 8$ $V_{in} = V_{DD}$ to V_{SS} dc coupled square wave | 3 | - | 13 | - | 12 | - | 8 | MHz |
| | | | 5 | - | 25 | - | 22 | - | 22 | |
| | | | 9 | - | 25 | - | 25 | - | 25 | |

Note: Usually, the PLL's propagation delay from f_{in} to MC plus the setup time of the prescaler determines the upper frequency limit of the system. The upper frequency limit is found with the following formula: $f = P / (t_p + t_{set})$ where f is the upper frequency in Hz, P is the lower of the dual modulus prescaler ratios, t_p is the f_{in} to MC propagation delay in seconds, and t_{set} is the prescaler setup time in seconds. For example, with a 5 V supply, the f_{in} to MC delay is 70 ns. If the MC12028A prescaler is used, the setup time is 16 ns. Thus, if the 64/65 ratio is utilized, the upper frequency limit is $f = P / (t_p + t_{set}) = 64 / (70 + 16) = 744$ MHz.



V_H =High Voltage Level.

V_L =Low Voltage Level.

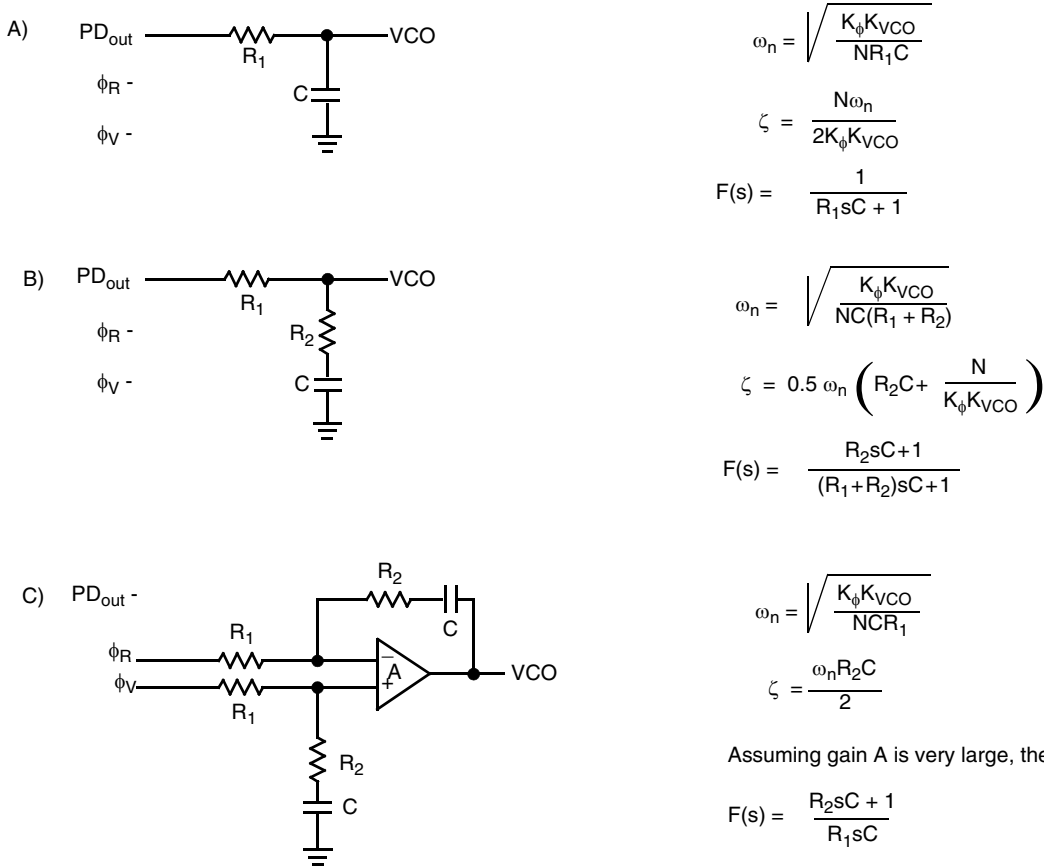
* At this point, when both f_R and f_V are in phase, the output is forced to near mid-supply.

NOTE: The PD_{out} generates error pulses during out-of-lock conditions. When locked in phase and frequency the output is high and the voltage at this pin is determined by the low-pass filter capacitor.

Figure 11. Phase Detector/Lock Detector Output Waveforms

4 Design Considerations

4.1 Phase-Locked Loop — Low-Pass Filter Design



NOTE: Sometimes R_1 is split into two series resistors, each $R_1 \div 2$. A capacitor C_C is then placed from the midpoint to ground to further filter ϕ_V and ϕ_R . The value of C_C should be such that the corner frequency of this network does not significantly affect ω_n . The ϕ_R and ϕ_V outputs swing rail-to-rail. Therefore, the user should be careful not to exceed the common mode input range of the op amp used in the combiner/loop filter.

Definitions:

N = Total Division Ratio in feedback loop

K_ϕ (Phase Detector Gain) = $V_{DD}/4\pi$ for PD_{out}

K_ϕ (Phase Detector Gain) = $V_{DD}/2\pi$ for ϕ_V and ϕ_R

$$K_{VCO} \text{ (VCO Gain)} = \frac{2\pi\Delta f_{VCO}}{\Delta V_{VCO}}$$

for a typical design ω_n (Natural Frequency) $\approx \frac{2\pi f_r}{10}$ (at phase detector input).

Damping Factor: $\zeta \cong 1$

Figure 12. Phase-Locked Loop — Low-Pass Filter Design

4.2 Crystal Oscillator Considerations

The following options may be considered to provide a reference frequency to Freescale's CMOS frequency synthesizers.

4.2.1 Use of a Hybrid Crystal Oscillator

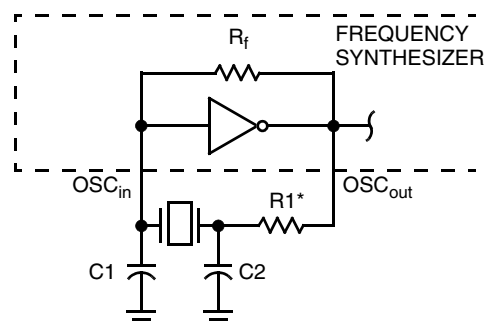
Commercially available temperature-compensated crystal oscillators (TCXOs) or crystal-controlled data clock oscillators provide very stable reference frequencies. An oscillator capable of sinking and sourcing $50\ \mu\text{A}$ at CMOS logic levels may be direct or dc coupled to OSC_{in} . In general, the highest frequency capability is obtained utilizing a direct-coupled square wave having a rail-to-rail (V_{DD} to V_{SS}) voltage swing. If the oscillator does not have CMOS logic levels on the outputs, capacitive or ac coupling to OSC_{in} may be used. OSC_{out} , an unbuffered output, should be left floating.

4.2.2 Design an Off-Chip Reference

The user may design an off-chip crystal oscillator using ICs specifically developed for crystal oscillator applications, or using discrete transistors. The reference signal from the oscillator is ac coupled to OSC_{in} . For large amplitude signals (standard CMOS logic levels), dc coupling is used. OSC_{out} , an unbuffered output, should be left floating. In general, the highest frequency capability is obtained with a direct-coupled square wave having rail-to-rail voltage swing.

4.2.3 Use of the On-Chip Oscillator Circuitry

The on-chip amplifier (a digital inverter) along with an appropriate crystal may be used to provide a reference source frequency. A fundamental mode crystal, parallel resonant at the desired operating frequency, should be connected as shown in [Figure 13](#).



* May be deleted in certain cases. See text.

Figure 13. Pierce Crystal Oscillator Circuit

Design Considerations

For $V_{DD} = 5.0$ V, the crystal should be specified for a loading capacitance, C_L , which does not exceed 32 pF for frequencies to approximately 8.0 MHz, 20 pF for frequencies in the area of 8.0 to 15 MHz, and 10 pF for higher frequencies. These are guidelines that provide a reasonable compromise between IC capacitance, drive capability, swamping variations in stray and IC input/output capacitance, and realistic C_L values. The shunt load capacitance, C_L , presented across the crystal can be estimated to be:

$$C_L = \frac{C_{in}C_{out}}{C_{in} + C_{out}} + C_a + C_o + \frac{C1 \cdot C2}{C1 + C2}$$

where

$C_{in} = 5$ pF (see Figure 14)

$C_{out} = 6$ pF (see Figure 14)

$C_a = 1$ pF (see Figure 14)

$C_o =$ the crystal's holder capacitance (see Figure 15)

$C1$ and $C2 =$ external capacitors (see Figure 13)

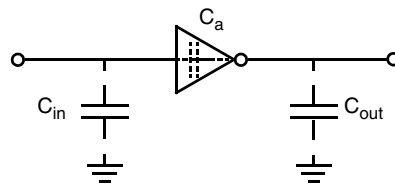
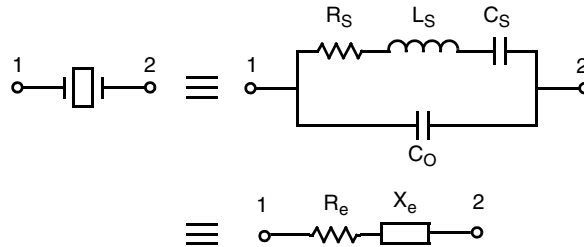


Figure 14. Parasitic Capacitances of the Amplifier



NOTE: Values are supplied by crystal manufacturer (parallel resonant crystal).

Figure 15. Equivalent Crystal Networks

The oscillator can be “trimmed” on-frequency by making a portion or all of $C1$ variable. The crystal and associated components must be located as close as possible to the OSC_{in} and OSC_{out} pins to minimize distortion, stray capacitance, stray inductance, and startup stabilization time. In some cases, stray capacitance should be added to the value for C_{in} and C_{out} .

Power is dissipated in the effective series resistance of the crystal, R_e , in Figure 15. The drive level specified by the crystal manufacturer is the maximum stress that a crystal can withstand without damage or excessive shift in frequency. $R1$ in Figure 13 limits the drive level. The use of $R1$ may not be necessary in some cases (i.e., $R1 = 0 \Omega$).

To verify that the maximum dc supply voltage does not overdrive the crystal, monitor the output frequency as a function of voltage at OSC_{out} . (Care should be taken to minimize loading.) The frequency should increase very slightly as the dc supply voltage is increased. An overdriven crystal will decrease in frequency or become unstable with an increase in supply voltage. The operating supply voltage must be reduced or R1 must be increased in value if the overdriven condition exists. The user should note that the oscillator start-up time is proportional to the value of R1.

Through the process of supplying crystals for use with CMOS inverters, many crystal manufacturers have developed expertise in CMOS oscillator design with crystals. Discussions with such manufacturers can prove very helpful.

4.3 Dual-Modulus Prescaling

4.3.1 Overview

The technique of dual-modulus prescaling is well established as a method of achieving high performance frequency synthesizer operation at high frequencies. Basically, the approach allows relatively low-frequency programmable counters to be used as high-frequency programmable counters with speed capability of several hundred MHz. This is possible without the sacrifice in system resolution and performance that results if a fixed (single-modulus) divider is used for the prescaler.

In dual-modulus prescaling, the lower speed counters must be uniquely configured. Special control logic is necessary to select the divide value P or P + 1 in the prescaler for the required amount of time (see modulus control definition).

4.3.2 Design Guidelines

The system total divide value, N_{total} (N_T) will be dictated by the application:

$$N_T = \frac{\text{frequency into the prescaler}}{\text{frequency into the phase detector}} = N \cdot P + A$$

N is the number programmed into the $\div N$ counter, A is the number programmed into the $\div A$ counter, P and P + 1 are the two selectable divide ratios available in the dual-modulus prescalers. To have a range of N_T values in sequence, the $\div A$ counter is programmed from zero through P - 1 for a particular value N in the $\div N$ counter. N is then incremented to N + 1 and the $\div A$ is sequenced from 0 through P - 1 again.

There are minimum and maximum values that can be achieved for N_T . These values are a function of P and the size of the $\div N$ and $\div A$ counters.

The constraint $N \geq A$ always applies. If $A_{max} = P - 1$, then $N_{min} \geq P - 1$. Then $N_{Tmin} = (P - 1) P + A$ or $(P - 1) P$ since A is free to assume the value of 0.

$$N_{Tmax} = N_{max} \cdot P + A_{max}$$

To maximize system frequency capability, the dual-modulus prescaler output must go from low to high after each group of P or P + 1 input cycles. The prescaler should divide by P when its modulus control line is high and by P + 1 when its MC is low.

Design Considerations

For the maximum frequency into the prescaler ($f_{VCO_{max}}$), the value used for P must be large enough such that:

1. $f_{VCO_{max}}$ divided by P may not exceed the frequency capability of f_{in} (input to the $\div N$ and $\div A$ counters).
2. The period of f_{VCO} divided by P must be greater than the sum of the times:
 - a) Propagation delay through the dual-modulus prescaler.
 - b) Prescaler setup or release time relative to its MC signal.
 - c) Propagation time from f_{in} to the MC output for the frequency synthesizer device.

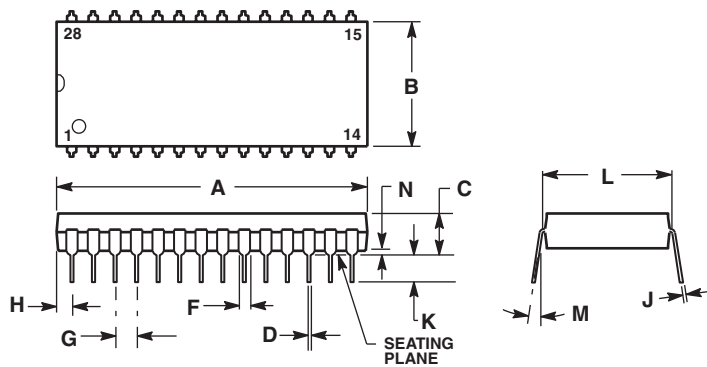
A sometimes useful simplification in the programming code can be achieved by choosing the values for P of 8, 16, 32, or 64. For these cases, the desired value of N_T results when N_T in binary is used as the program code to the $\div N$ and $\div A$ counters treated in the following manner:

1. Assume the $\div A$ counter contains “a” bits where $2^a \geq P$.
2. Always program all higher order $\div A$ counter bits above “a” to 0.
3. Assume the $\div N$ counter and the $\div A$ counter (with all the higher order bits above “a” ignored) combined into a single binary counter of $n + a$ bits in length (n = number of divider stages in the $\div N$ counter). The MSB of this “hypothetical” counter is to correspond to the MSB of $\div N$ and the LSB is to correspond to the LSB of $\div A$. The system divide value, N_T , now results when the value of N_T in binary is used to program the “new” $n + a$ bit counter.

By using the two devices, several dual-modulus values are achievable.

5 Package Dimensions

P SUFFIX PLASTIC DIP



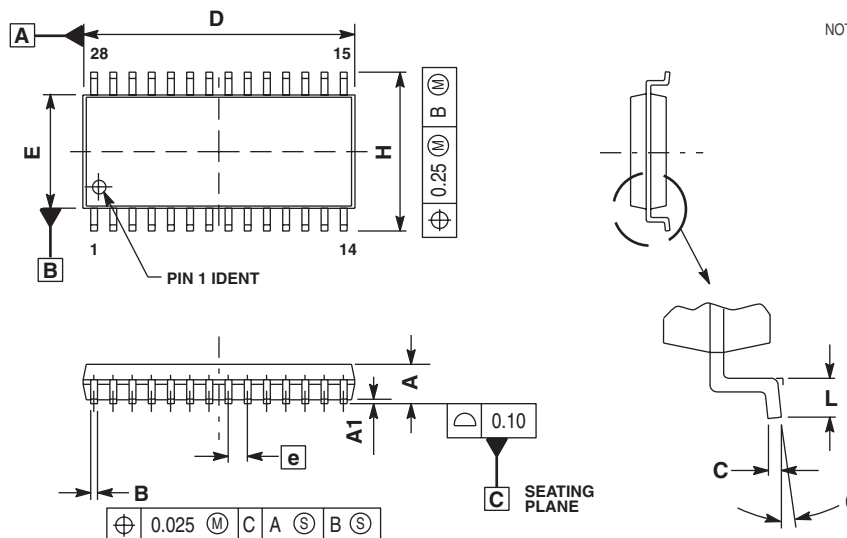
NOTES:

1. POSITIONAL TOLERANCE OF LEADS (D), SHALL BE WITHIN 0.25 (0.010) AT MAXIMUM MATERIAL CONDITION, IN RELATION TO SEATING PLANE AND EACH OTHER.
2. DIMENSION L TO CENTER OF LEADS WHEN FORMED PARALLEL.
3. DIMENSION B DOES NOT INCLUDE MOLD FLASH.
4. CONTROLLING DIMENSION: INCH.

| DIM | INCHES | | MILLIMETERS | |
|-----|-----------|-------|-------------|-------|
| | MIN | MAX | MIN | MAX |
| A | 1.435 | 1.465 | 36.45 | 37.21 |
| B | 0.540 | 0.560 | 13.72 | 14.22 |
| C | 0.155 | 0.200 | 3.94 | 5.08 |
| D | 0.014 | 0.022 | 0.36 | 0.56 |
| F | 0.040 | 0.060 | 1.02 | 1.52 |
| G | 0.100 BSC | | 2.54 BSC | |
| H | 0.065 | 0.085 | 1.65 | 2.16 |
| J | 0.008 | 0.015 | 0.20 | 0.38 |
| K | 0.115 | 0.135 | 2.92 | 3.43 |
| L | 0.600 BSC | | 15.24 BSC | |
| M | 0' | 15' | 0' | 15' |
| N | 0.020 | 0.040 | 0.51 | 1.02 |

Figure 16. Outline Dimensions for Plastic DIP
(Case Outline 710-02, Issue B)

DW SUFFIX SOG PACKAGE



NOTES:

1. DIMENSIONS ARE IN MILLIMETERS.
2. INTERPRET DIMENSIONS AND TOLERANCES PER ASME Y14.5M, 1994.
3. DIMENSIONS D AND E DO NOT INCLUDE MOLD PROTRUSIONS.
4. MAXIMUM MOLD PROTRUSION 0.015 PER SIDE.
5. DIMENSION B DOES NOT INCLUDE DAMBAR PROTRUSION. ALLOWABLE DAMBAR PROTRUSION SHALL BE 0.13 TOTAL IN EXCESS OF B DIMENSION AT MAXIMUM MATERIAL CONDITION.

| DIM | MILLIMETERS | |
|-----|-------------|-------|
| | MIN | MAX |
| A | 2.35 | 2.65 |
| A1 | 0.13 | 0.29 |
| B | 0.35 | 0.49 |
| C | 0.23 | 0.32 |
| D | 17.80 | 18.05 |
| E | 7.40 | 7.60 |
| e | 1.27 BSC | |
| H | 10.05 | 10.55 |
| L | 0.41 | 0.90 |
| θ | 0' | 8' |

Figure 17. Outline Dimensions for SOG Package
(Case Outline 751F-05, Issue F)

How to Reach Us:

Home Page:

www.freescale.com

E-mail:

support@freescale.com

USA/Europe or Locations Not Listed:

Freescale Semiconductor
Technical Information Center, CH370
1300 N. Alma School Road
Chandler, Arizona 85224
+1-800-521-6274 or +1-480-768-2130
support@freescale.com

Europe, Middle East, and Africa:

Freescale Halbleiter Deutschland GmbH
Technical Information Center
Schatzbogen 7
81829 Muenchen, Germany
+44 1296 380 456 (English)
+46 8 52200080 (English)
+49 89 92103 559 (German)
+33 1 69 35 48 48 (French)
support@freescale.com

Japan:

Freescale Semiconductor Japan Ltd.
Headquarters
ARCO Tower 15F
1-8-1, Shimo-Meguro, Meguro-ku,
Tokyo 153-0064
Japan
0120 191014 or +81 3 5437 9125
support.japan@freescale.com

Asia/Pacific:

Freescale Semiconductor Hong Kong Ltd.
Technical Information Center
2 Dai King Street
Tai Po Industrial Estate
Tai Po, N.T., Hong Kong
+800 2666 8080
support.asia@freescale.com

For Literature Requests Only:

Freescale Semiconductor Literature Distribution Center
P.O. Box 5405
Denver, Colorado 80217
1-800-441-2447 or 303-675-2140
Fax: 303-675-2150
LDCForFreescaleSemiconductor@hibbertgroup.com

RoHS-compliant and/or Pb-free versions of Freescale products have the functionality and electrical characteristics of their non-RoHS-compliant and/or non-Pb-free counterparts. For further information, see <http://www.freescale.com> or contact your Freescale sales representative.

For information on Freescale's Environmental Products program, go to <http://www.freescale.com/epp>.

Information in this document is provided solely to enable system and software implementers to use Freescale Semiconductor products. There are no express or implied copyright licenses granted hereunder to design or fabricate any integrated circuits or integrated circuits based on the information in this document.

Freescale Semiconductor reserves the right to make changes without further notice to any products herein. Freescale Semiconductor makes no warranty, representation or guarantee regarding the suitability of its products for any particular purpose, nor does Freescale Semiconductor assume any liability arising out of the application or use of any product or circuit, and specifically disclaims any and all liability, including without limitation consequential or incidental damages. "Typical" parameters that may be provided in Freescale Semiconductor data sheets and/or specifications can and do vary in different applications and actual performance may vary over time. All operating parameters, including "Typicals", must be validated for each customer application by customer's technical experts. Freescale Semiconductor does not convey any license under its patent rights nor the rights of others. Freescale Semiconductor products are not designed, intended, or authorized for use as components in systems intended for surgical implant into the body, or other applications intended to support or sustain life, or for any other application in which the failure of the Freescale Semiconductor product could create a situation where personal injury or death may occur. Should Buyer purchase or use Freescale Semiconductor products for any such unintended or unauthorized application, Buyer shall indemnify and hold Freescale Semiconductor and its officers, employees, subsidiaries, affiliates, and distributors harmless against all claims, costs, damages, and expenses, and reasonable attorney fees arising out of, directly or indirectly, any claim of personal injury or death associated with such unintended or unauthorized use, even if such claim alleges that Freescale Semiconductor was negligent regarding the design or manufacture of the part.

Freescale™ and the Freescale logo are trademarks of Freescale Semiconductor, Inc. All other product or service names are the property of their respective owners.

© Freescale Semiconductor, Inc., 2004. All rights reserved.