

# SI-8000TM Series Surface-Mount, Separate Excitation Step-down Switching Mode

## ■Features

- Compact surface-mount package (TO252-5)
- Output current: 1.5 A
- High efficiency: 81% typ. (at  $V_o = 5\text{ V}$ )
- Requires only 4 discrete components
- Built-in reference oscillator (300 kHz)
- Built-in drooping-type-overcurrent and thermal protection circuits
- Output ON/OFF available (circuit current at output OFF: 200  $\mu\text{A}$  typ.)
- Soft start available by ON/OFF pin

## ■Applications

- Onboard local power supplies
- AV equipment
- OA equipment

## ■Recommended Operating Conditions

Parameter	Symbol	Ratings		Unit
		SI-8008TM		
Input Voltage Range	$V_{IN}$	$V_o+3^{*1}$ to 40		V
Output Voltage	$V_o$	0.8 to 24		V
Output Current Range	$I_o$	0 to 1.5		A
Operating Junction Temperature Range	$T_{jop}$	-20 to +100		$^{\circ}\text{C}$
Operating Temperature Range	$T_{op}$	-20 to +85		$^{\circ}\text{C}$

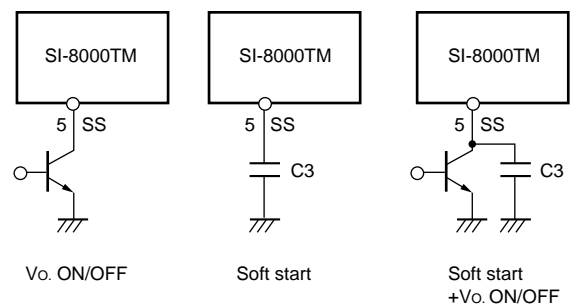
\*1: The minimum value of an input voltage range is the higher of 4.5 V or  $V_o + 3\text{ V}$ .

## ■Electrical Characteristics

( $T_a=25^{\circ}\text{C}$ )

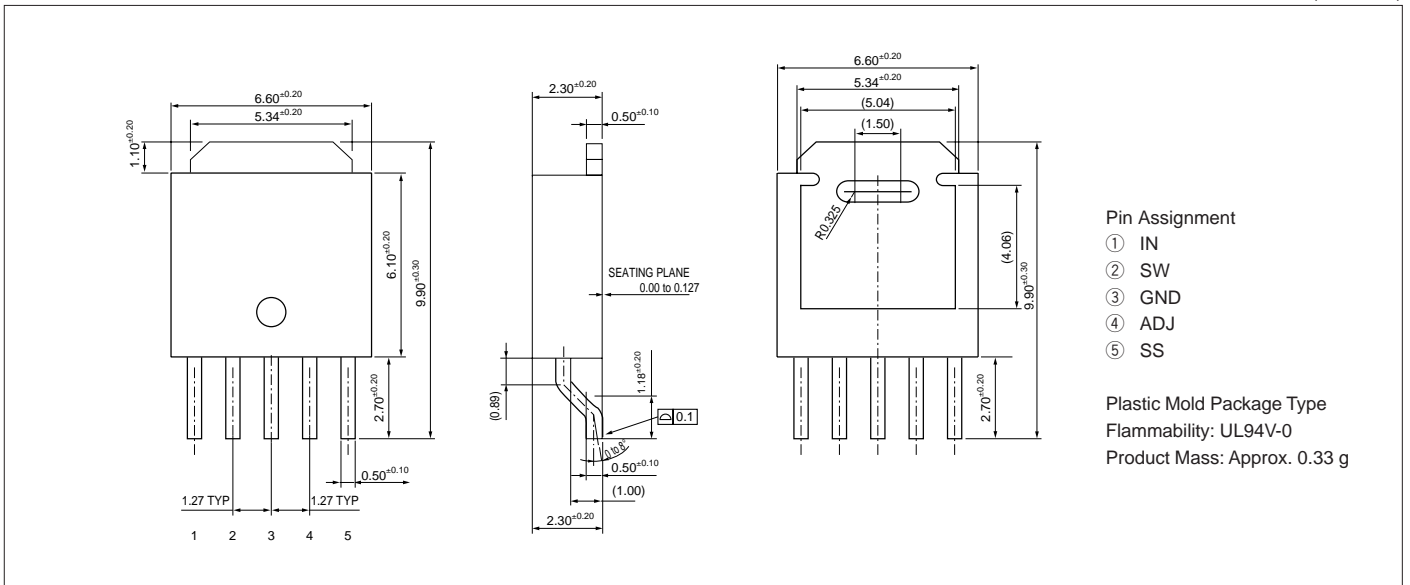
Parameter	Symbol	Rating			Unit
		SI-8008TM			
		min.	typ.	max.	
Reference Voltage	$V_{ADJ}$	0.784	0.800	0.816	V
	Conditions	$V_{IN}=15\text{V}, I_o=0.1\text{A}$			
Temperature Coefficient of Reference Voltage	$\Delta V_{ADJ}/\Delta T$		$\pm 0.1$		$\text{mV}/^{\circ}\text{C}$
	Conditions	$V_{IN}=15\text{V}, I_o=0.1\text{A}, T_c=0$ to $100^{\circ}\text{C}$			
Efficiency	$\eta$		81		%
	Conditions	$V_{IN}=15\text{V}, I_o=0.5\text{A}$			
Oscillation Frequency	$f_o$		300		kHz
	Conditions	$V_{IN}=15\text{V}, I_o=0.5\text{A}$			
Line Regulation	$\Delta V_{OLINE}$		60	80	mV
	Conditions	$V_{IN}=10$ to $30\text{V}, I_o=0.5\text{A}$			
Load Regulation	$\Delta V_{OLOAD}$		10	40	mV
	Conditions	$V_{IN}=15\text{V}, I_o=0.2$ to $1.5\text{A}$			
Overcurrent Protection Starting Current	$I_s$	1.6			A
	Conditions	$V_{IN}=15\text{V}$			
ON/OFF Pin*	Low Level Voltage	$V_{SSL}$		0.5	V
	Outflow Current at Low Voltage	$I_{SSL}$	10	40	$\mu\text{A}$
	Conditions	$V_{SSL}=0\text{V}$			
Quiescent Circuit Current	$I_q$		6		mA
		Conditions	$V_{IN}=15\text{V}, I_o=0\text{A}$		
	$I_q(\text{OFF})$		200	400	$\mu\text{A}$
	Conditions	$V_{IN}=15\text{V}, V_{SS}=0\text{V}$			

\*: Pin 5 is the SS pin. Soft start at power on can be performed with a capacitor connected to this pin. The output can also be turned ON/OFF with this pin. The output is stopped by setting the voltage of this pin to  $V_{SSL}$  or lower. SS-pin voltage can be changed with an open-collector drive circuit of a transistor. When using both the soft-start and ON/OFF functions together, the discharge current from C3 flows into the ON/OFF control transistor. Therefore, limit the current securely to protect the transistor if C3 capacitance is large. The SS pin is pulled up to the power supply in the IC, so applying the external voltage is prohibited. If the pin is not used, leave it open.

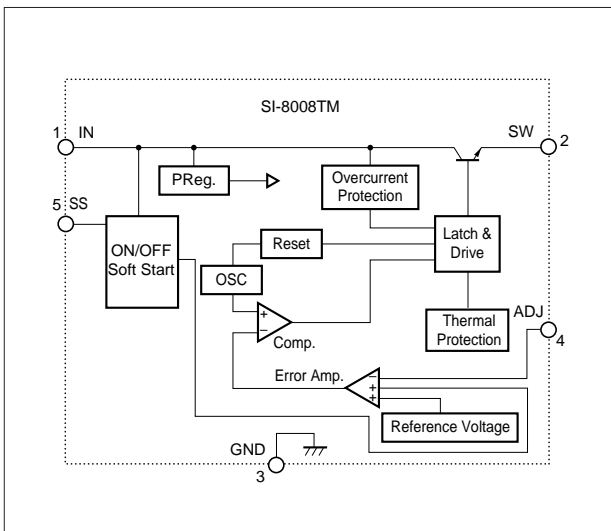


External Dimensions (TO252-5)

(Unit : mm)



Block Diagram



Typical Connection Diagram

