



## Special order options for Leaded Aluminum Electrolytic Capacitors

### Axial Taping Suffixes

| Axial taping                               | Suffix |
|--|--------|
| All Axial lead Tape and Reel               | SD     |
| Axial taping and reel, Non-standard taping | SDC#   |

### Radial Taping Suffixes

| Diameter          | Taping configuration   | Suffix |
|-------------------|--|--------|
| 4,5,6.3,8,10,12.5 | Ammo pack, 5.0 mm lead spacing   | SA     |
| 4,5,6.3           | Ammo pack, 2.5 mm lead spacing   | ST     |
| 8                 | Ammo pack, 3.5 mm lead spacing (straight leads)                              | SF     |
| 4                 | Ammo pack, 1.5 mm lead spacing (straight leads)                              | ST1    |
| 5                 | Ammo pack, 2.0 mm lead spacing (straight leads)                              | ST2    |
| 16,18             | Ammo pack, 7.5 mm lead spacing (straight leads),<br>15mm feeder hole spacing | SQ     |
| 12.5              | Ammo pack, 5 mm lead spacing , 15mm feeder<br>hole spacing                   | SH     |

### Cut and formed leads suffixes

| Diameter                       | Description          | Suffix |
|--------------------------------|----------------------|--------|
| 4, 5, 6.3, 8                   | Cut and formed leads | B      |
| 4, 5, 6.3, 8, 10, 12.5, 16, 18 | Straight leads       | CC     |
| 4, 5, 6.3, 8, 10, 12.5, 16, 18 | Snap-in formed leads | SI     |

### Optional Sleeving Suffix

|                        | Suffix |
|------------------------|--------|
| Polyester (PET) Sleeve | Y      |

### Special/Nonstandard tolerance Suffix

| Suffix         |
|----------------|
| K (+/- 10%)    |
| Q (-10%, +30%) |

### Optional end sealing Suffix

|                                | Suffix |
|--------------------------------|--------|
| Epoxy end seal                 | PX     |
| Epoxy end seal with PET sleeve | MX     |
| PET Sleeve only                | MS     |

Add the suffix to the end of the part number





## TAPING SPECIFICATIONS

**REFERENCE STANDARDS:** EIA RS296E

**CASE SIZE:** Minimum Diameter: 5.0mm  
Maximum Diameter: 12.5mm

**PITCH:** Standard: 10.2mm  
Optional: 15.2mm\*

**TAPE LEADER:** A 300mm minimum length leader is provided before the first capacitor and after the last capacitor.

**ORIENTATION FOR POLARITY:** All polarized capacitors are oriented in one direction.  
Anode-white, Cathode-color for polarized capacitors.

**INTERRUPTION OF SEQUENCE:** No consecutive capacitors may be absent. Total empty spaces <0.1% of reel.

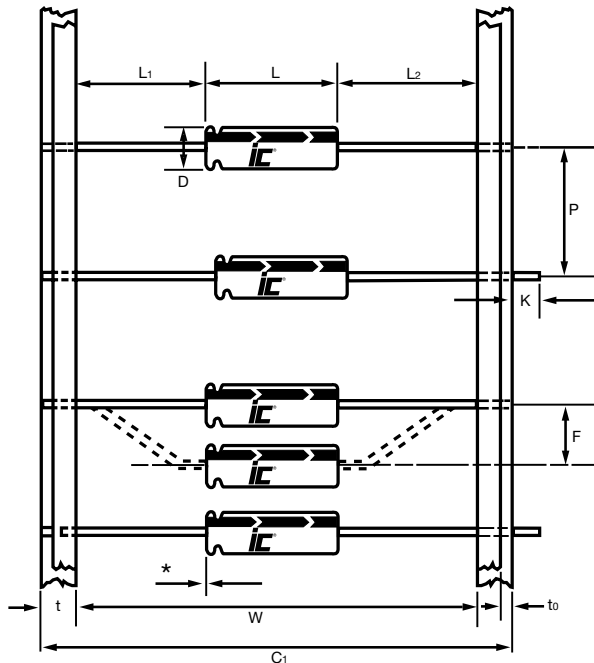
**SPLICES:** Spliced tape strength is equal to non-spliced tape.  
Staples will not be used for splicing.  
Splice offset < 0.80mm  
Splice overlap > 50.8mm

| CASE SIZE vs. PITCH |      |      |      |      |      | Tol. |
|---------------------|------|------|------|------|------|------|
| Case Diameter (D)   | 5.0  | 6.3  | 8.0  | 10.0 | 12.5 | ±0.5 |
| Pitch* (P)          | 10.0 | 10.0 | 10.0 | 15.0 | 15.0 | ±0.5 |

| TYPICAL PACKAGING QUANTITIES (Reel) |      |      |      |      |      |
|-------------------------------------|------|------|------|------|------|
| Case Diameter (D)                   | 5.0  | 6.3  | 8.0  | 10.0 | 12.5 |
| Quantity/Reel (Max.)                | 1500 | 1250 | 1000 | 500  | 400  |

**NOTES:**

\*Maximum body diameter must be less than nominal component pitch  
Please contact IC directly for all special requirements

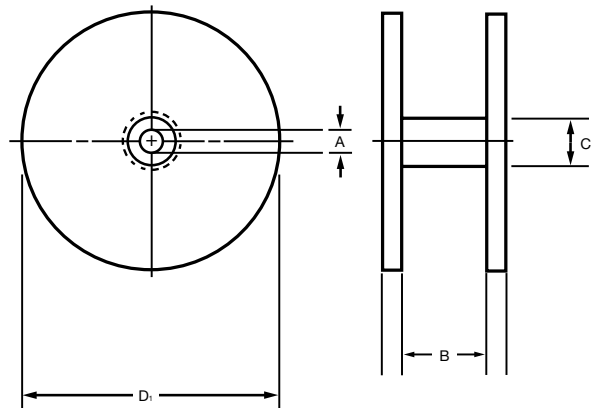


| LEAD TAPING SPECIFICATIONS |             |      |      |
|----------------------------|-------------|------|------|
| Inside Tape (W)            | 52.4        | 63.5 | 73.0 |
| Tolerance Inside (W)       | ±1.5        |      |      |
| Lead Extension (K)         | 0.80 Max.   |      |      |
| Centering Tolerance*       | ±1.40       |      |      |
| Lead into Tape             | 1/2 t Min.  |      |      |
| Tape Width (t)             | 5.0 to 6.35 |      |      |
| Exposed Adhesive (to)      | .80 Max     |      |      |
| Lead Bend Alignment (F)    | 1.2 Max.    |      |      |
| Overall Width (C1)         | 123.5 Max.  |      |      |

### STANDARD TAPING SPECIFICATIONS

|                 | NOMINAL CASE LENGTH: mm |              |              |
|-----------------|-------------------------|--------------|--------------|
|                 | ≤ 16.0                  | ≤ 20.0       | ≤ 35.5       |
| Inside Tape (W) | Standard(SD)            | Optional(C2) | Optional(C3) |
| 52.4            | Standard(SD)            | Optional(C1) | Optional(C3) |
| 63.5            | Optional(C1)            | Standard(SD) | Standard(SD) |
| 73.0            | Optional(C1)            | Optional(C2) | Optional(C3) |

| REEL DIMENSIONS         | MIN.                   | MAX.  |
|-------------------------|------------------------|-------|
| Outside Diameter (D1)   | 76.2                   | 355.6 |
| Core Diameter (C)       | 34.9                   | 92.1  |
| Arbor Hole Diameter (A) | 13.9                   | 38.1  |
| Inside Flange (B)       | 1.5 to 8.0 over C1 Dim |       |



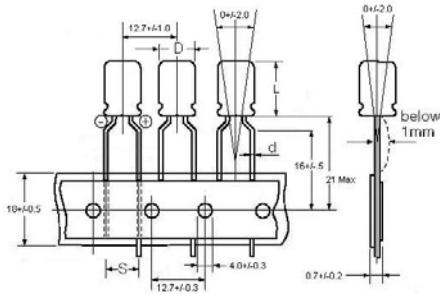


**TAPING SPECIFICATIONS**

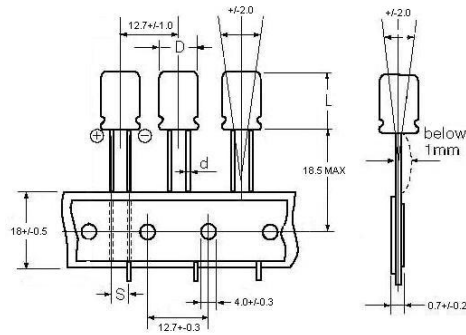
**ORIENTATION OF POLARITY:** All polarized capacitors must be oriented in the same direction.  
**INTERRUPTION OF SEQUENCE:** No consecutive capacitors may be absent. Empty spaces <0.1% of reel quantity.

**SPLICES:** Splice tape strength must be equal to Non-splice tape.  
**Splice thickness:** ≤4 single tape layers  
**Splice offset:** <0.3 mm  
**REFERENCE STANDARD:** EIA RS 468A

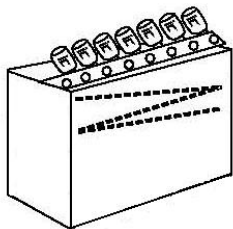
**Formed lead**



**Straight lead**



|                              | Formed lead spacing |      |      |      | Straight lead spacing |            |     |     |      |      |       |      |           | Tol.   |
|------------------------------|---------------------|------|------|------|-----------------------|------------|-----|-----|------|------|-------|------|-----------|--------|
|                              | 4.0                 | 5.0  | 6.3  | 8.0  | 4.0                   | 5.0        | 6.3 | 8.0 | 10.0 | 12.5 | 16/18 | 12.5 |           |        |
| Case Diameter (D)            | 4.0                 | 5.0  | 6.3  | 8.0  | 4.0                   | 5.0        | 6.3 | 8.0 | 10.0 | 12.5 | 16/18 | 12.5 |           |        |
| Lead spacing (S)             | 5.0                 |      |      |      | 1.5/2.5               | 2.0/2.5    | 2.5 | 3.5 | 5.0  | 5.0  | 7.5   | 7.5  | +0.8/-0.2 |        |
| Taping code                  | SA                  |      |      |      | ST1/<br>ST            | ST2/<br>ST | ST  | SF  | SA   | SA   | SQ    | SH   |           |        |
| Capacitor Pitch (P)          | 12.7                |      |      |      | 12.7                  |            |     |     |      |      | 25.4  | 15.0 | 15.0      | ±1.0   |
| Feed hole pitch (Po)         | 12.7                |      |      |      | 12.7                  |            |     |     |      |      | 12.7  | 15.0 | 15.0      | ±0.3   |
| Feed hole to first lead (P1) | 3.85                |      |      |      | 5.1                   |            |     |     | 4.6  | 3.75 |       |      | ±0.7      |        |
| Carrier width (W)            | 18.0                |      |      |      | 18                    |            |     |     |      |      | 18.0  |      |           | ±0.5   |
| Feed hole position (W1)      | 9                   |      |      |      | 9.0                   |            |     |     |      |      | 9.0   |      |           | ±0.5   |
| Height of seating plane (H)  | 17.5                | 18.5 | 18.5 | 20.0 | 18.5                  |            |     |     |      |      | 18.5  | 18.5 | 16.0      | 21 MAX |
| Lead wire clinch Height (HO) | 16.0                |      |      |      | ----                  |            |     |     |      |      | ----  |      |           | ±0.5   |
| Clinch Height(K)             | 1.5                 | 2.5  | 2.5  | 4.0  | ----                  |            |     |     |      |      | ----  |      |           | Nom    |
| Feed Hole Diameter (D0)      | 4.0                 |      |      |      | 4.0                   |            |     |     |      |      | 4.0   |      |           | ±0.3   |
| Lead Protrusion (L)          | 11.2                |      |      |      | 11.2                  |            |     |     |      |      | 11.2  |      |           | MAX    |
| Front to Back inclination Δh | 0.0                 |      |      |      | 0.0                   |            |     |     |      |      | 0.0   |      |           | ±2.0   |
| Body inclination Δh1         | 0.0                 |      |      |      | 0.0                   |            |     |     |      |      | 0.0   |      |           | ±2.0   |
| Tape thickness (t)           | 0.7                 |      |      |      | 0.7                   |            |     |     |      |      | 0.7   |      |           | ±2.0   |



| Box Dimensions (mm) |         |         |
|---------------------|---------|---------|
| L (MAX)             | H (MAX) | T (MAX) |
| 340                 | 360     | 65      |

**Box Quantity**

| Diameter | 4.0  | 5.0  | 6.3  | 8.0  | 10   | 12.5 | 12.5 | 16  | 18  |
|----------|------|------|------|------|------|------|------|-----|-----|
| Po       | 12.7 | 12.7 | 12.7 | 12.7 | 12.7 | 12.7 | 15   | 15  | 15  |
| Quantity | 2000 | 2000 | 2000 | 1000 | 800  | 400  | 500  | 300 | 243 |



**STANDARD RADIAL LEAD CUT & FORM SPECIFICATION**

**Special Order Options\***

Add code to end of part number

| Code      | Description                           | Dimensions |     |     |      | Dimension Figure |  |
|-----------|---------------------------------------|------------|-----|-----|------|------------------|--|
|           |                                       | D          | F   | P   | L    |                  |  |
| <b>B</b>  | <b>Standard Cut and Formed Leads</b>  | 4.0        | 5.0 | 1.5 | 4.5  |                  |  |
|           |                                       | 5.0        | 5.0 | 2.0 | 4.5  |                  |  |
|           |                                       | 6.3        | 5.0 | 2.5 | 4.5  |                  |  |
|           |                                       | 8.0        | 5.0 | 3.5 | 4.5  |                  |  |
| <b>CC</b> | <b>Standard Straight Cut Leads</b>    | Dimensions |     |     |      |                  |  |
|           |                                       | D          | F   | L   |      |                  |  |
|           |                                       | 4.0        | 1.5 | 5.0 |      |                  |  |
|           |                                       | 5.0        | 2.0 | 5.0 |      |                  |  |
|           |                                       | 6.3        | 2.5 | 5.0 |      |                  |  |
|           |                                       | 8.0        | 3.5 | 5.0 |      |                  |  |
|           |                                       | 10.0       | 5.0 | 5.0 |      |                  |  |
|           |                                       | 12.5       | 5.0 | 5.0 |      |                  |  |
|           |                                       | 16.0       | 7.5 | 5.0 |      |                  |  |
| 18.0      | 7.5                                   | 5.0        |     |     |      |                  |  |
| <b>SI</b> | <b>Formed Snap-in Cut Leads</b>       | Dimensions |     |     |      |                  |  |
|           |                                       | D          | F   | P   | I    | H                |  |
|           |                                       | 4.0        | 5.0 | 1.5 | 0.85 | 2.6              |  |
|           |                                       | 5.0        | 5.0 | 2.0 | 0.85 | 2.8              |  |
|           |                                       | 6.3        | 5.0 | 2.5 | 0.85 | 2.8              |  |
| 8.0       | 5.0                                   | 3.5        | 1.0 | 2.7 |      |                  |  |
| <b>SI</b> | <b>Straight-Cut Snap-in Cut Leads</b> | Dimensions |     |     |      |                  |  |
|           |                                       | D          | F   | P   | I    | H                |  |
|           |                                       | 10.0       | 5.0 | —   | 4.5  | 2.7              |  |
|           |                                       | 12.5       | 5.0 | —   | 4.5  | 2.7              |  |
|           |                                       | 16.0       | 7.5 | —   | 4.5  | 2.7              |  |
| 18.0      | 7.5                                   | —          | 4.5 | 2.7 |      |                  |  |

\*for non-standard requirement contact I.C.

Convert to inches, divide by 25.4