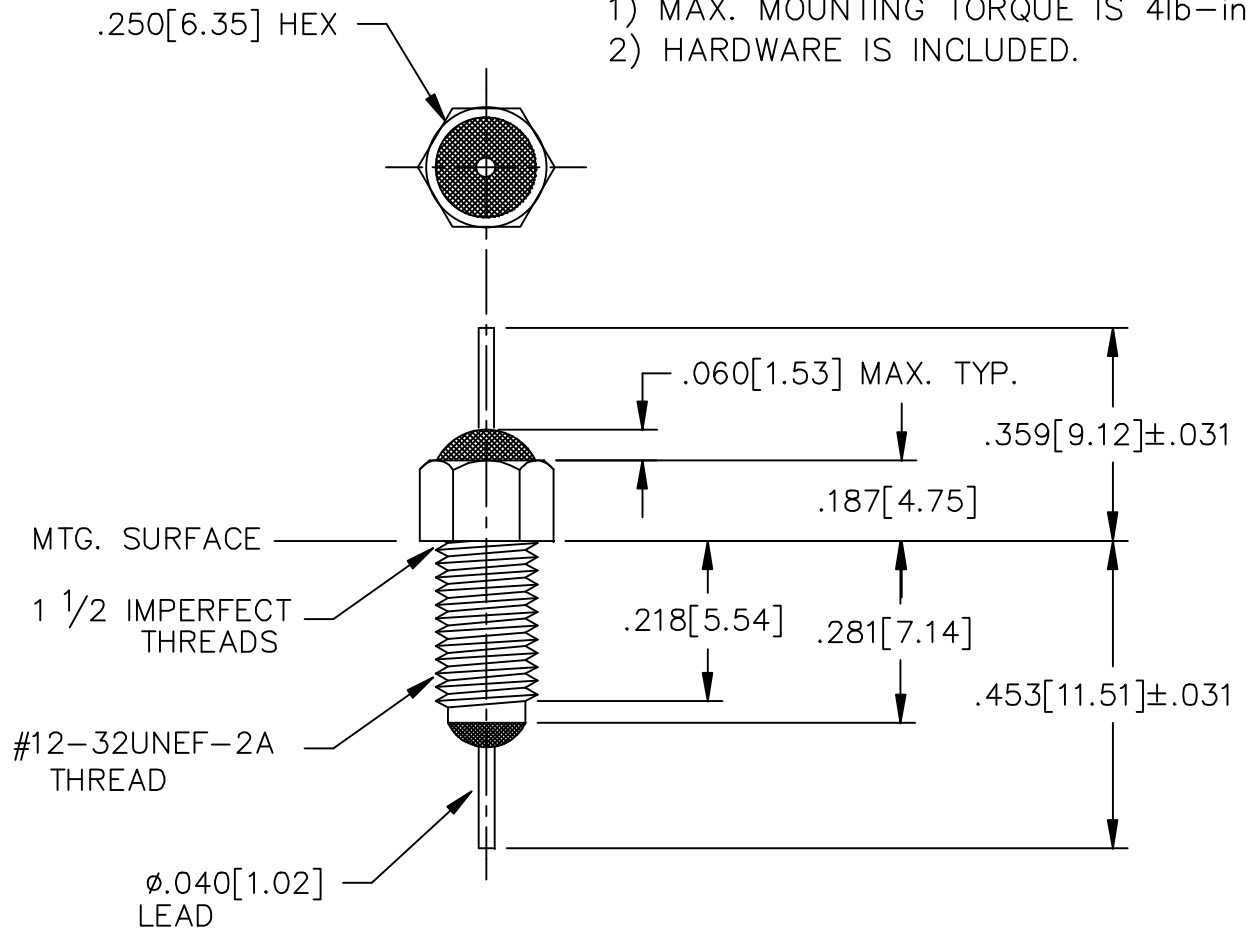
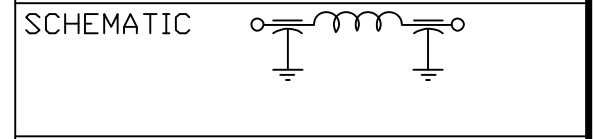


NOTES:
 1) MAX. MOUNTING TORQUE IS 4lb-in.
 2) HARDWARE IS INCLUDED.




LEAD FINISH: SILVER	
BUSHING FINISH: SILVER	
CAPACITANCE	5500pF
TEMP. RANGE	-55°C TO 125°C
CURRENT	10 AMP MAX.
WORKING VOLTAGE	85°C -- VDC MAX. 125°C 200 VDC MAX.
D.C. RESISTANCE	.01ohms MAX.
MIN. I.L. PER MIL-STD-220 AT 25°C NO LOAD	
FREQ. MHz	I.L. (db)
10	14
30	25
100	50
300	65
500	--
1GHz	65
10GHz	65



MARKING:
 PART: S 719-021
 (MARKING MUST BE CLEARLY LEGIBLE WITH NO MARKING VOIDS)
 BAG:
 51-719-021
 DATE CODE
 QTY./BAG (100 MAX.)

	62	61	60	REV. NO.	TOLERANCES UNLESS OTHERWISE SPECIFIED
	CN 35419-ENG	CN 13776-CPD	CN 184956 REDRAWN	CHANGE NOTICE	Fractions $\pm 1/64$
					Dec. .xx \pm
					Dec. .xxx $\pm .010$
					Angles $\pm 0^\circ 30'$
					CODE IDENT. NO. DLSP2


 SPECTRUM CONTROL INC.
 FAIRVIEW PENNSYLVANIA

Dwn. KAUFFMAN	Description Pi
Date 6-12-07	RESIN SEAL FILTER
Engr SACKETT	
Scale NONE	51-719-021

