

Electronic device circuit breaker - ECP 1-2 - 0912018

Please be informed that the data shown in this PDF Document is generated from our Online Catalog. Please find the complete data in the user's documentation. Our General Terms of Use for Downloads are valid (<http://download.phoenixcontact.com>)



Electronic device circuit breaker, Connection method: Screw connection, Nominal current: 2 A, Nominal voltage: 24 V, Width: 12.5 mm, Fuse type: Electronic, Fuse type: Automatic device, Mounting type: On base element, Color: black

Why buy this product

- Can be plugged onto TMCP SOCKET M base
- Design width of just 12.5 mm
- Operating or error state indicated by LED and integrated signal contacts
- Capacitive loads can be switched on and loads are only switched off in the event of an overload or short circuit
- Selective protection of all 24 V DC load circuits at switched-mode power supply units
- Combination of active electronic current limitation and proven circuit breaker technology including electrical isolation
- Residual current always limited to 1.8 times the nominal current

Key commercial data

Packing unit	0
Minimum order quantity	1
Catalog page	Page 207 (TT-2011)
GTIN	 4 046356 014335
Custom tariff number	85362010
Country of origin	GERMANY

Technical data

General

Color	black
Insulating material	PA-F
Inflammability class according to UL 94	V0

Dimensions

Width	12.5 mm
Length	60 mm
Height NS 35/7.5	144 mm
Height NS 35/15	151.5 mm

Technical data

Fuse	Electronic
------	------------

Electronic device circuit breaker - ECP 1-2 - 0912018

Technical data

Technical data

Fuse type	Automatic device
Nominal current I _N	2 A
Nominal voltage U _N	24 V DC (up to max. 32 V)
Switching capacity I _{CN}	(Active current limitation)
Ambient temperature (operation)	0 °C ... 50 °C

Connection data

Connection method	Screw connection
-------------------	------------------

Classifications

eclass

eCl@ss 4.0	27141116
eCl@ss 4.1	27141116
eCl@ss 5.0	27141116
eCl@ss 5.1	27141116
eCl@ss 6.0	27141116

etim

ETIM 2.0	EC000899
ETIM 3.0	EC000899
ETIM 4.0	EC000899

unspsc

UNSPSC 6.01	30211812
UNSPSC 7.0901	39121411
UNSPSC 11	39121411
UNSPSC 12.01	39121411
UNSPSC 13.2	39121411

Approvals

Certificates

Certification

UL Recognized / VDE approval of drawings

Certification EX

Certification submitted

Electronic device circuit breaker - ECP 1-2 - 0912018

Approvals

Approval details

UL Recognized

VDE approval of drawings

Accessories

Additional products

Box mounting base - TMCP SOCKET M - 0916589



Modular socket element, 2-position, for holding two circuit breakers, each with a single position

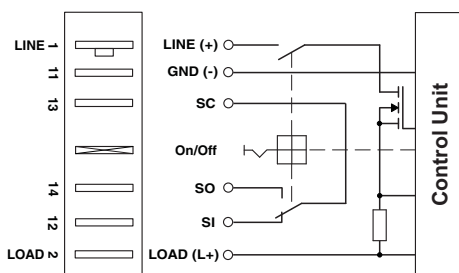
End cover - TMCP CONNECT LR - 0916592



End cover, Length: 115 mm, Width: 6 mm, Color: black

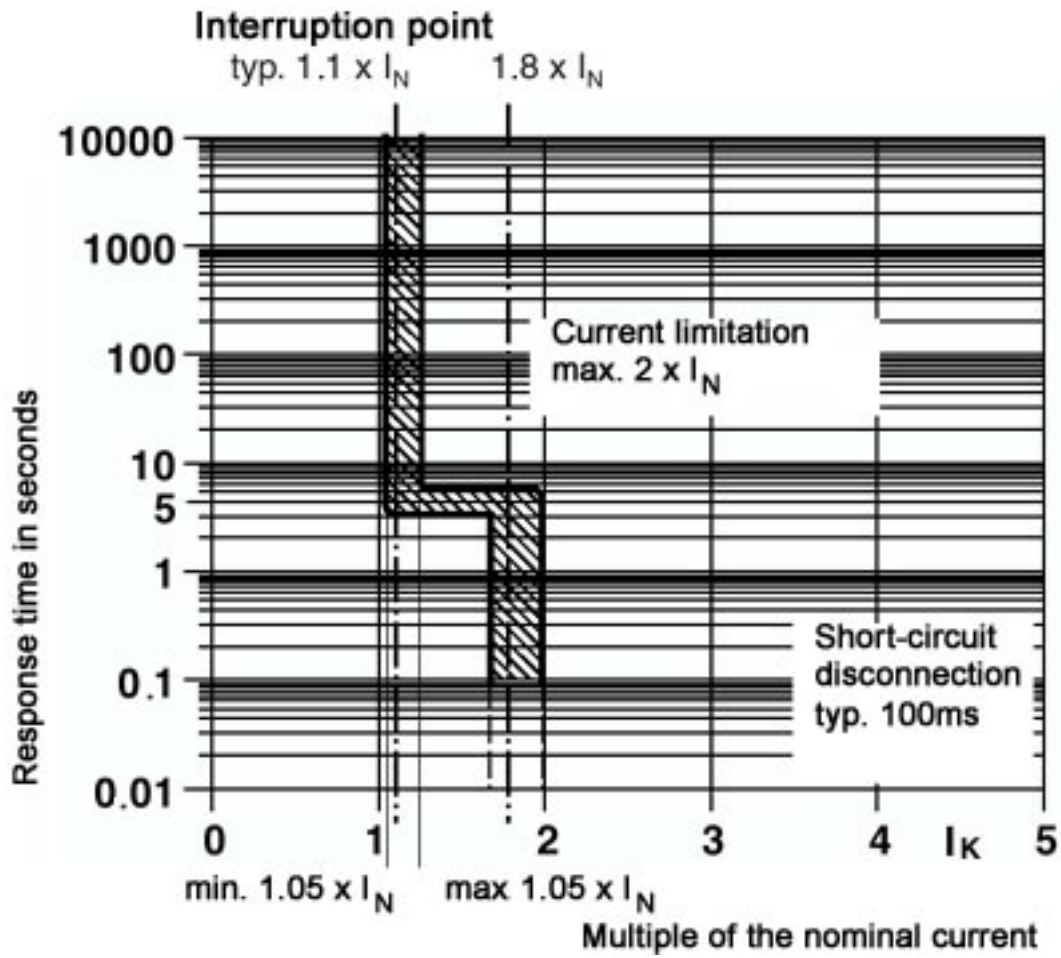
Drawings

Block diagram



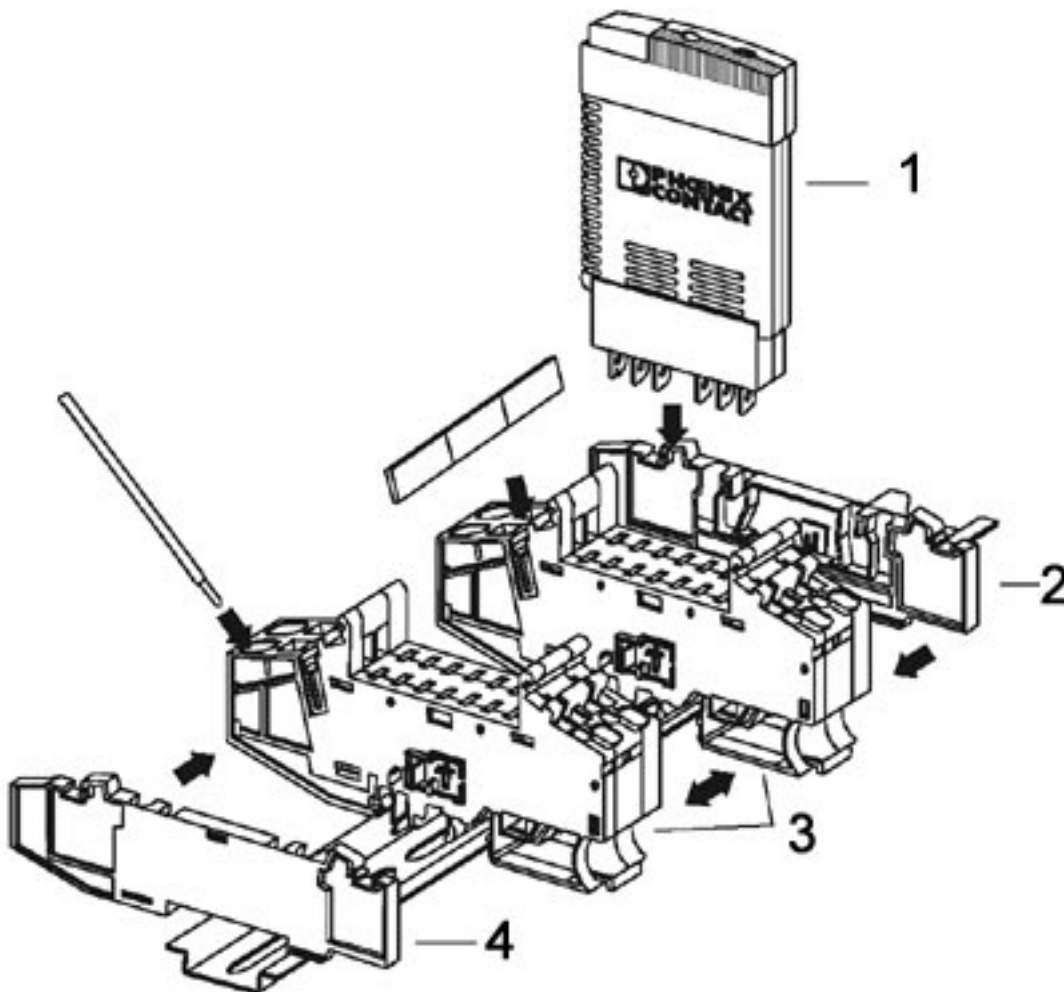
Electronic device circuit breaker - ECP 1-2 - 0912018

Diagram



Electronic device circuit breaker - ECP 1-2 - 0912018

Functional drawing



- 1 = Selective circuit breaker
- 2 = Socket termination element
- 3 = Modular socket element
- 4 = Socket termination element

Electronic device circuit breaker - ECP 1-2 - 0912018

Circuit diagram

