



**CY7C11661KV18, CY7C11771KV18
CY7C11681KV18, CY7C11701KV18**

18-Mbit DDR II+ SRAM Two-Word Burst Architecture (2.5 Cycle Read Latency)

Features

- 18-Mbit density (2 M × 8, 2 M × 9, 1 M × 18, 512 K × 36)
- 550 MHz clock for high bandwidth
- 2-word burst for reducing address bus frequency
- Double data rate (DDR) interfaces (data transferred at 1100 MHz) at 550 MHz
- Available in 2.5 clock cycle latency
- Two input clocks (K and \bar{K}) for precise DDR timing
 - SRAM uses rising edges only
- Echo clocks (CQ and \overline{CQ}) simplify data capture in high-speed systems
- Data valid pin (QVLD) to indicate valid data on the output
- Synchronous internally self-timed writes
- DDR II+ operates with 2.5 cycle read latency when \overline{DOFF} is asserted HIGH
- Operates similar to DDR I device with 1 cycle read latency when \overline{DOFF} is asserted LOW
- Core $V_{DD} = 1.8 V \pm 0.1 V$; I/O $V_{DDQ} = 1.4 V$ to V_{DD} ^[1]
 - Supports both 1.5 V and 1.8 V I/O supply
- HSTL inputs and variable drive HSTL output buffers
- Available in 165-Ball FBGA package (13 × 15 × 1.4 mm)
- Offered in both Pb-free and non Pb-free packages
- JTAG 1149.1 compatible test access port
- Phase-locked loop (PLL) for accurate data placement

Configurations

With Read cycle latency of 2.5 cycles:

- CY7C11661KV18 – 2 M × 8
- CY7C11771KV18 – 2 M × 9
- CY7C11681KV18 – 1 M × 18
- CY7C11701KV18 – 512 K × 36

Functional Description

The CY7C11661KV18, CY7C11771KV18, CY7C11681KV18, and CY7C11701KV18 are 1.8 V Synchronous Pipelined SRAMs equipped with DDR II+ architecture. The DDR II+ consists of an SRAM core with advanced synchronous peripheral circuitry. Addresses for read and write are latched on alternate rising edges of the input (K) clock. Write data is registered on the rising edges of both K and \bar{K} . Read data is driven on the rising edges of K and \bar{K} . Each address location is associated with two 8-bit words (CY7C11661KV18), 9-bit words (CY7C11771KV18), 18-bit words (CY7C11681KV18), or 36-bit words (CY7C11701KV18) that burst sequentially into or out of the device.

Asynchronous inputs include an output impedance matching input (ZQ). Synchronous data outputs (Q, sharing the same physical pins as the data inputs D) are tightly matched to the two output echo clocks CQ/ \overline{CQ} , eliminating the need for separately capturing data from each individual DDR SRAM in the system design.

All synchronous inputs pass through input registers controlled by the K or \bar{K} input clocks. All data outputs pass through output registers controlled by the K or \bar{K} input clocks. Writes are conducted with on-chip synchronous self-timed write circuitry.

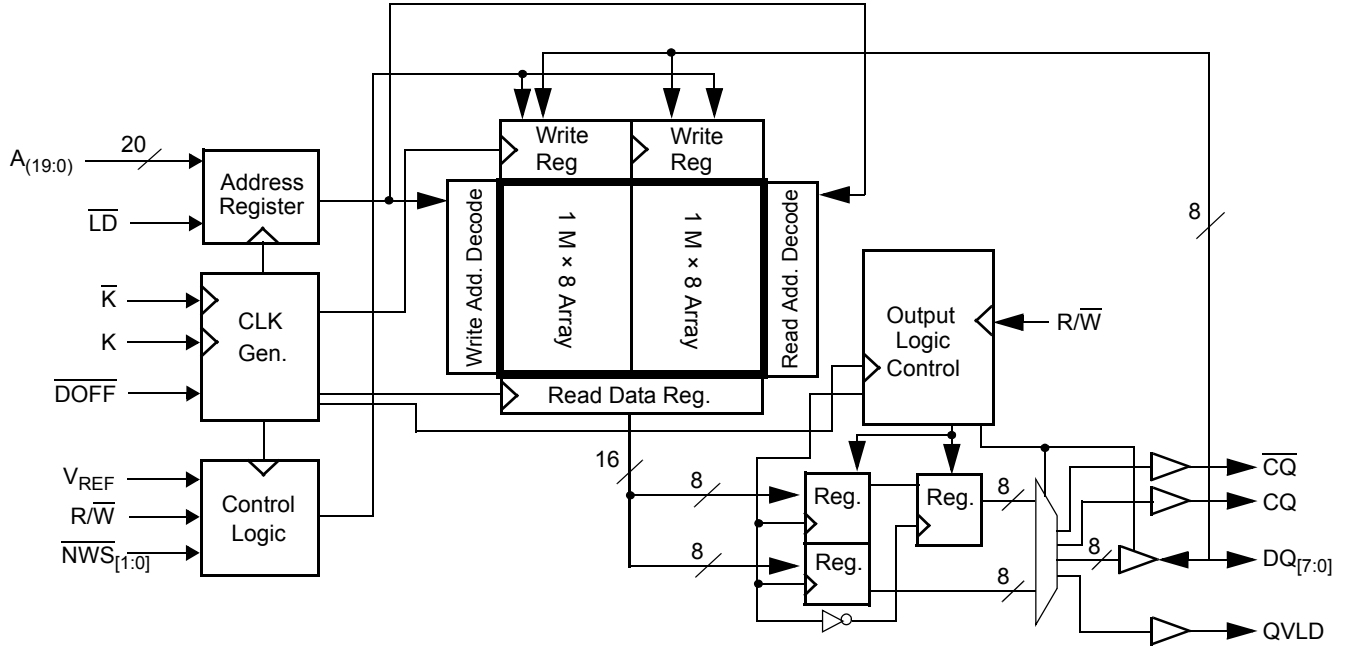
Table 1. Selection Guide

| Description | | 550 MHz | 500 MHz | 450 MHz | 400 MHz | Unit |
|-----------------------------|-----|---------|---------|---------|---------|------|
| Maximum operating frequency | | 550 | 500 | 450 | 400 | MHz |
| Maximum operating current | x8 | 740 | 690 | 630 | 580 | mA |
| | x9 | 740 | 690 | 630 | 580 | |
| | x18 | 760 | 700 | 650 | 590 | |
| | x36 | 970 | 890 | 820 | 750 | |

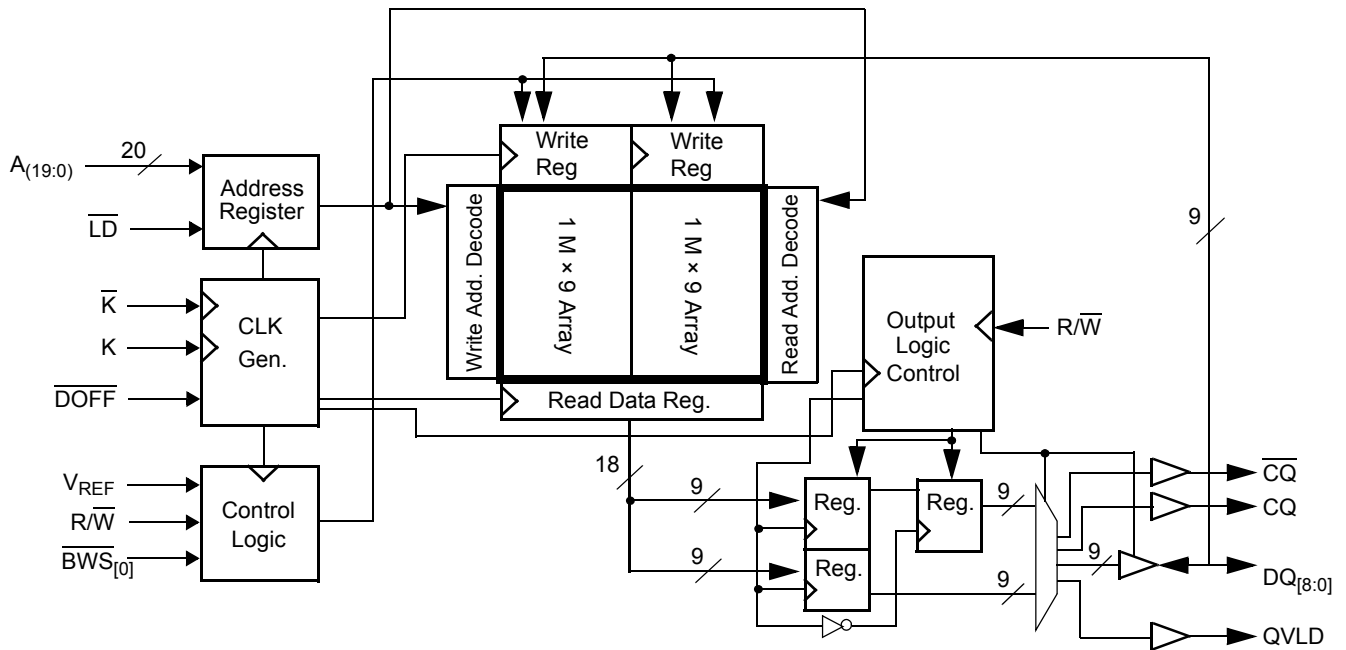
Note

1. The Cypress QDR II+ devices surpass the QDR consortium specification and can support $V_{DDQ} = 1.4 V$ to V_{DD} .

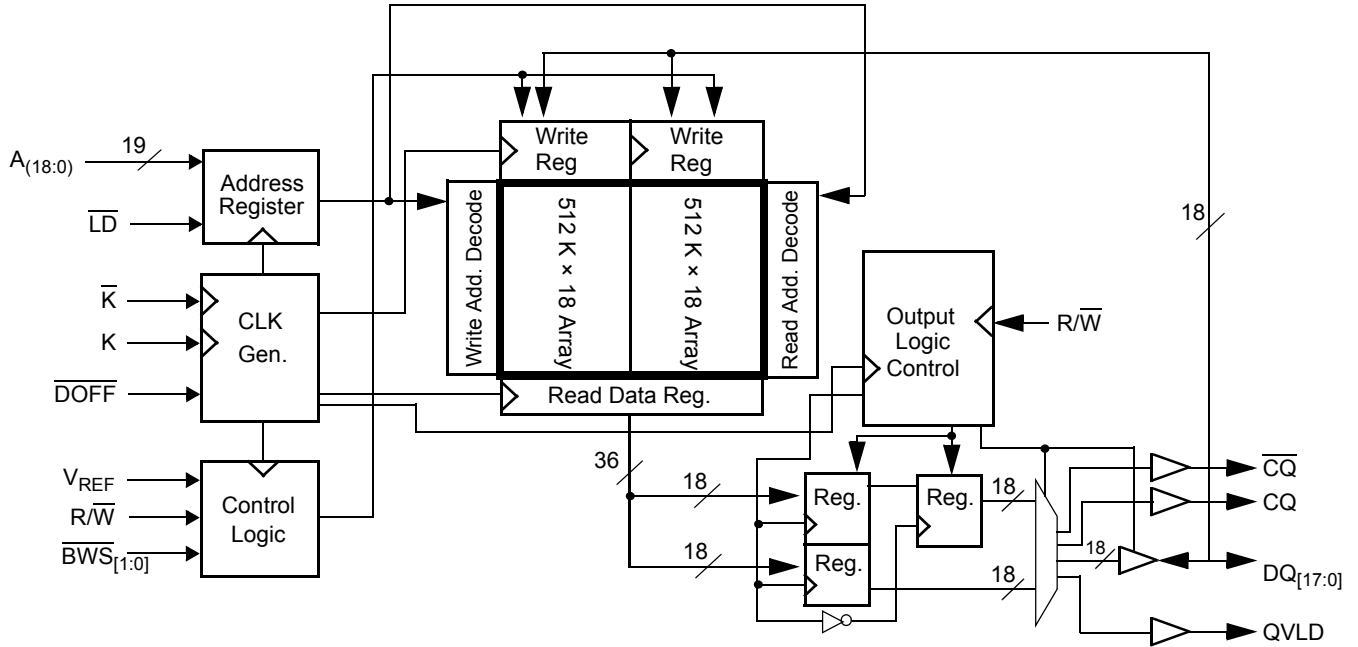
Logic Block Diagram (CY7C11661KV18)



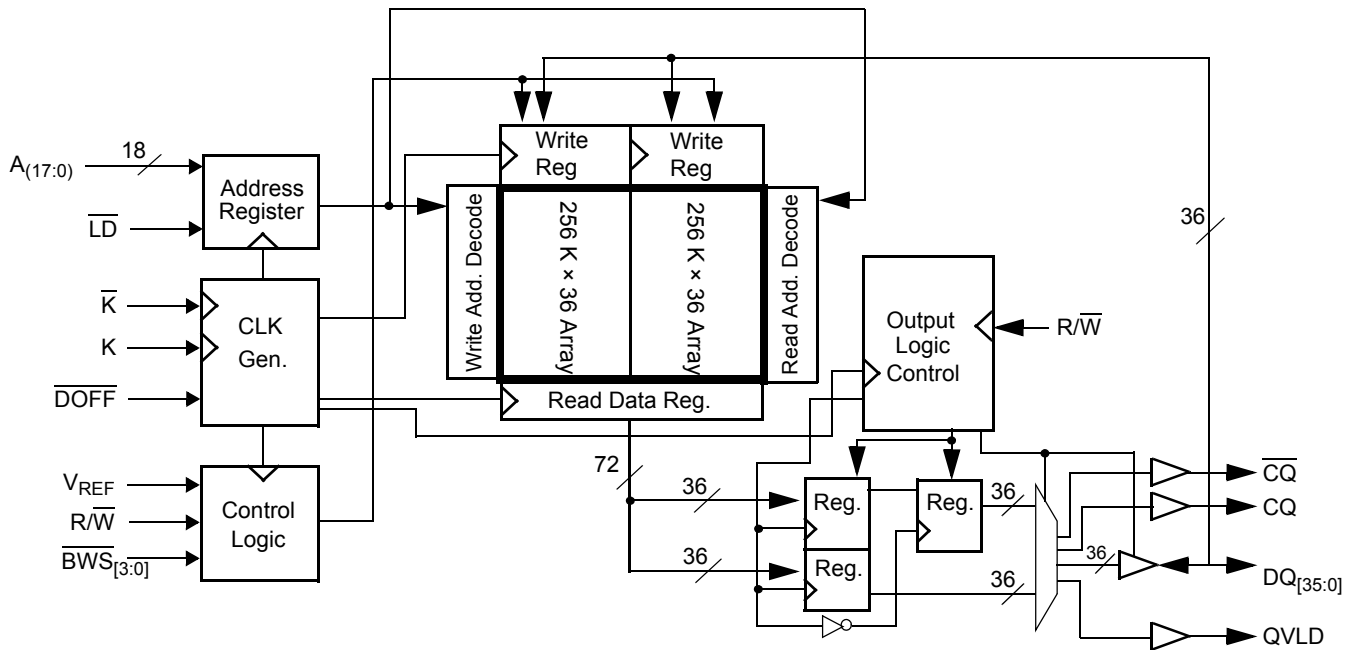
Logic Block Diagram (CY7C11771KV18)



Logic Block Diagram (CY7C11681KV18)



Logic Block Diagram (CY7C11701KV18)



Contents

| | | | |
|---|----------|--|-----------|
| 18-Mbit DDR II+ SRAM Two-Burst Architecture (2.5 Cycle Read Latency) | 1 | TAP Electrical Characteristics | 12 |
| Features | 1 | TAP AC Switching Characteristics | 13 |
| Configurations | 1 | TAP Timing and Test Conditions | 13 |
| Functional Description | 1 | Power-up Sequence in DDR II+ SRAM | 16 |
| Logic Block Diagram (CY7C11661KV18) | 2 | Power-up Sequence | 16 |
| Logic Block Diagram (CY7C11771KV18) | 2 | PLL Constraints | 16 |
| Logic Block Diagram (CY7C11681KV18) | 3 | Maximum Ratings | 17 |
| Logic Block Diagram (CY7C11701KV18) | 3 | Operating Range | 17 |
| Functional Overview | 5 | Neutron Soft Error Immunity | 17 |
| Read Operations | 5 | Electrical Characteristics | 17 |
| Write Operations | 5 | DC Electrical Characteristics | 17 |
| Byte Write Operations | 5 | AC Electrical Characteristics | 19 |
| DDR Operation | 5 | Capacitance | 19 |
| Depth Expansion | 5 | Thermal Resistance | 19 |
| Programmable Impedance | 5 | Switching Characteristics | 20 |
| Echo Clocks | 5 | Switching Waveforms | 21 |
| Valid Data Indicator (QVLD) | 6 | Read/Write/Deselect Sequence | 21 |
| PLL | 6 | Ordering Information | 22 |
| Application Example | 6 | Ordering Code Definitions | 22 |
| Truth Table | 7 | Package Diagram | 23 |
| Write Cycle Description – | | Acronyms | 24 |
| CY7C11661KV18 and CY7C11681KV18 | 7 | Document Conventions | 24 |
| Write Cycle Descriptions – CY7C11771KV18 | 8 | Units of Measure | 24 |
| Write Cycle Descriptions – CY7C11701KV18 | 8 | Document History Page | 25 |
| IEEE 1149.1 Serial Boundary Scan (JTAG) | 9 | Sales, Solutions, and Legal Information | 26 |
| Disabling the JTAG Feature | 9 | Worldwide Sales and Design Support | 26 |
| Test Access Port—Test Clock | 9 | Products | 26 |
| Test Mode Select (TMS) | 9 | PSoC Solutions | 26 |
| Test Data-In (TDI) | 9 | | |
| Test Data-Out (TDO) | 9 | | |
| Performing a TAP Reset | 9 | | |
| TAP Registers | 9 | | |
| TAP Instruction Set | 9 | | |

Functional Overview

The CY7C11661KV18, CY7C11771KV18, CY7C11681KV18, and CY7C11701KV18 are synchronous pipelined Burst SRAMs equipped with a DDR interface, which operates with a read latency of two and half cycles when $\overline{\text{DOFF}}$ pin is tied HIGH. When $\overline{\text{DOFF}}$ pin is set LOW or connected to V_{SS} , the device behaves in DDR I mode with a read latency of one clock cycle.

Accesses are initiated on the rising edge of the positive input clock (K). All synchronous input and output timing are referenced from the rising edge of the input clocks (K and $\overline{\text{K}}$).

All synchronous data inputs ($D_{[x:0]}$) pass through input registers controlled by the rising edge of the input clocks (K and $\overline{\text{K}}$). All synchronous data outputs ($Q_{[x:0]}$) pass through output registers controlled by the rising edge of the input clocks (K and $\overline{\text{K}}$).

All synchronous control ($\overline{\text{R/W}}$, $\overline{\text{LD}}$, $\overline{\text{NWS}}_{[x:0]}$, $\overline{\text{BWS}}_{[x:0]}$) inputs pass through input registers controlled by the rising edge of the input clock (K).

CY7C11681KV18 is described in the following sections. The same basic descriptions apply to CY7C11661KV18, CY7C11771KV18, and CY7C11701KV18.

Read Operations

The CY7C11681KV18 is organized internally as two arrays of $512 \text{ K} \times 18$. Accesses are completed in a burst of two sequential 18-bit data words. Read operations are initiated by asserting $\overline{\text{R/W}}$ HIGH and $\overline{\text{LD}}$ LOW at the rising edge of the positive input clock (K). The address presented to the address inputs is stored in the read address register. Following the next two $\overline{\text{K}}$ clock rise, the corresponding 18-bit word of data from this address location is driven onto the $Q_{[17:0]}$ using K as the output timing reference. On the subsequent rising edge of $\overline{\text{K}}$, the next 18-bit data word is driven onto the $Q_{[17:0]}$. The requested data is valid 0.45 ns from the rising edge of the input clock (K and $\overline{\text{K}}$). To maintain the internal logic, each read access must be allowed to complete. Read accesses can be initiated on every rising edge of the positive input clock (K).

When read access is deselected, the CY7C11681KV18 first completes the pending read transactions. Synchronous internal circuitry automatically tristates the output following the next rising edge of the negative input clock ($\overline{\text{K}}$). This enables a transition between devices without the insertion of wait states in a depth expanded memory.

Write Operations

Write operations are initiated by asserting $\overline{\text{R/W}}$ LOW and $\overline{\text{LD}}$ LOW at the rising edge of the positive input clock (K). The address presented to address inputs is stored in the write address register. On the following K clock rise, the data presented to $D_{[17:0]}$ is latched and stored into the 18-bit write data register, provided $\overline{\text{BWS}}_{[1:0]}$ are both asserted active. On the subsequent rising edge of the negative input clock ($\overline{\text{K}}$) the information presented to $D_{[17:0]}$ is also stored into the write data register, provided $\overline{\text{BWS}}_{[1:0]}$ are both asserted active. The 36 bits of data are then written into the memory array at the specified location. Write accesses can be initiated on every rising edge of the positive input clock (K). Doing so pipelines the data flow such that 18 bits of data can be transferred into the device on every rising edge of the input clocks (K and $\overline{\text{K}}$).

When the write access is deselected, the device ignores all inputs after the pending write operations have been completed.

Byte Write Operations

Byte write operations are supported by the CY7C11681KV18. A write operation is initiated as described in the [Write Operations](#) section. The bytes that are written are determined by $\overline{\text{BWS}}_0$ and $\overline{\text{BWS}}_1$, which are sampled with each set of 18-bit data words. Asserting the appropriate Byte Write Select input during the data portion of a write latches the data being presented and writes it into the device. Deasserting the Byte Write Select input during the data portion of a write enables the data stored in the device for that byte to remain unaltered. This feature can be used to simplify read, modify, or write operations to a byte write operation.

DDR Operation

The CY7C11681KV18 enables high performance operation through high clock frequencies (achieved through pipelining) and DDR mode of operation. The CY7C11681KV18 requires two No Operation (NOP) cycle during transition from a read to a write cycle. At higher frequencies, some applications require third NOP cycle to avoid contention.

If a read occurs after a write cycle, address and data for the write are stored in registers. The write information is stored because the SRAM cannot perform the last word write to the array without conflicting with the read. The data stays in this register until the next write cycle occurs. On the first write cycle after the read(s), the stored data from the earlier write is written into the SRAM array. This is called a Posted write.

If a read is performed on the same address on which a write is performed in the previous cycle, the SRAM reads out the most current data. The SRAM does this by bypassing the memory array and reading the data from the registers.

Depth Expansion

Depth expansion requires replicating the $\overline{\text{LD}}$ control signal for each bank. All other control signals can be common between banks as appropriate.

Programmable Impedance

An external resistor, RQ, must be connected between the ZQ pin on the SRAM and V_{SS} to allow the SRAM to adjust its output driver impedance. The value of RQ must be 5x the value of the intended line impedance driven by the SRAM. The allowable range of RQ to guarantee impedance matching with a tolerance of $\pm 15\%$ is between 175Ω and 350Ω , with $V_{DDQ} = 1.5 \text{ V}$. The output impedance is adjusted every 1024 cycles upon power-up to account for drifts in supply voltage and temperature.

Echo Clocks

Echo clocks are provided on the DDR II+ to simplify data capture on high speed systems. Two echo clocks are generated by the DDR II+. CQ is referenced with respect to K and $\overline{\text{CQ}}$ is referenced with respect to $\overline{\text{K}}$. These are free-running clocks and are synchronized to the input clock of the DDR II+. The timing for the echo clocks is shown in the [Switching Characteristics](#) on page 20.

Valid Data Indicator (QVLD)

QVLD is provided on the DDR II+ to simplify data capture on high speed systems. The QVLD is generated by the DDR II+ device along with data output. This signal is also edge aligned with the echo clock and follows the timing of any data pin. This signal is asserted half a cycle before valid data arrives.

PLL

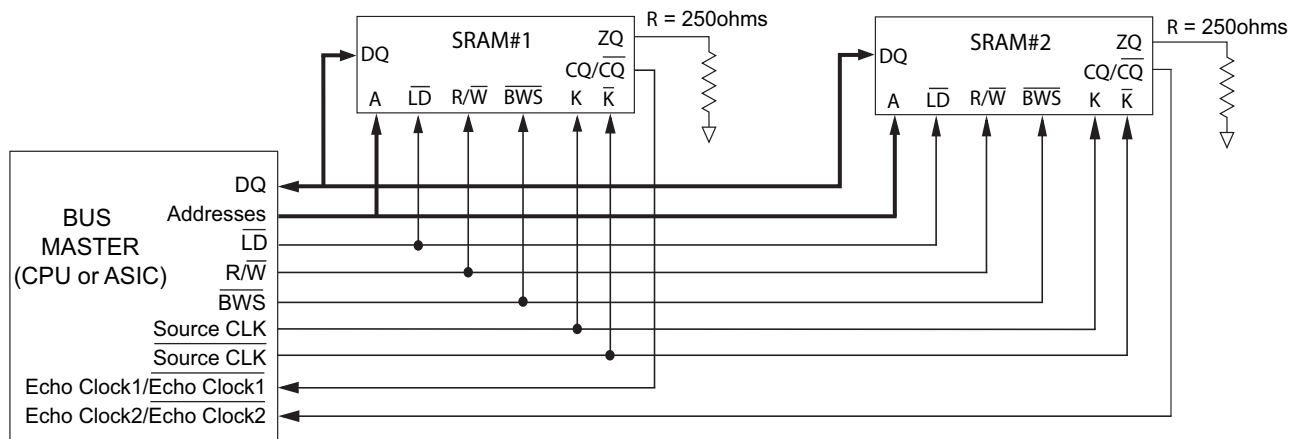
These chips use a PLL that is designed to function between 120 MHz and the specified maximum clock frequency. During power-up, when the DOFF is tied HIGH, the PLL is locked after

20 μs of stable clock. The PLL can also be reset by slowing or stopping the input clocks K and \bar{K} for a minimum of 30 ns. However, it is not necessary to reset the PLL to lock to the desired frequency. The PLL automatically locks 20 μs after a stable clock is presented. The PLL may be disabled by applying ground to the DOFF pin. When the PLL is turned off, the device behaves in DDR I mode (with one cycle latency and a longer access time). For information, refer to the application note, *PLL Considerations in QDRII/DDRII/QDRII+/DDRII+*.

Application Example

Figure 1 shows two DDR II+ used in an application.

Figure 1. Application Example



Truth Table

The truth table for the CY7C11661KV18, CY7C11771KV18, CY7C11681KV18, and CY7C11701KV18 follows.^[2, 3, 4, 5, 6, 7]

| Operation | K | $\overline{\text{LD}}$ | $\overline{\text{R/W}}$ | DQ | DQ |
|--|---------|------------------------|-------------------------|---|---|
| Write cycle: Load address; wait one cycle; input write data on consecutive K and $\overline{\text{K}}$ rising edges. | L-H | L | L | D(A) at K(t + 1) ↑ | D(A+1) at $\overline{\text{K}}$ (t + 1) ↑ |
| Read cycle: (2.5 cycle latency) Load address; wait two and half cycles; read data on consecutive $\overline{\text{K}}$ and K rising edges. | L-H | L | H | Q(A) at $\overline{\text{K}}$ (t + 2) ↑ | Q(A+1) at K(t + 3) ↑ |
| NOP: No operation | L-H | H | X | High Z | High Z |
| Standby: clock stopped | Stopped | X | X | Previous state | Previous state |

Write Cycle Description – CY7C11661KV18 and CY7C11681KV18

The write cycle description table for CY7C11661KV18 and CY7C11681KV18 follows.^[2, 8]

| $\overline{\text{BWS}}_0 / \text{NWS}_0$ | $\overline{\text{BWS}}_1 / \text{NWS}_1$ | K | $\overline{\text{K}}$ | Comments |
|--|--|-----|-----------------------|---|
| L | L | L-H | - | During the data portion of a write sequence: CY7C11661KV18 – both nibbles (D _[7:0]) are written into the device. CY7C11681KV18 – both bytes (D _[17:0]) are written into the device. |
| L | L | - | L-H | During the data portion of a write sequence: CY7C11661KV18 – both nibbles (D _[7:0]) are written into the device. CY7C11681KV18 – both bytes (D _[17:0]) are written into the device. |
| L | H | L-H | - | During the data portion of a write sequence: CY7C11661KV18 – only the lower nibble (D _[3:0]) is written into the device, D _[7:4] remains unaltered. CY7C11681KV18 – only the lower byte (D _[8:0]) is written into the device, D _[17:9] remains unaltered. |
| L | H | - | L-H | During the data portion of a write sequence: CY7C11661KV18 – only the lower nibble (D _[3:0]) is written into the device, D _[7:4] remains unaltered. CY7C11681KV18 – only the lower byte (D _[8:0]) is written into the device, D _[17:9] remains unaltered. |
| H | L | L-H | - | During the data portion of a write sequence: CY7C11661KV18 – only the upper nibble (D _[7:4]) is written into the device, D _[3:0] remains unaltered. CY7C11681KV18 – only the upper byte (D _[17:9]) is written into the device, D _[8:0] remains unaltered. |
| H | L | - | L-H | During the data portion of a write sequence: CY7C11661KV18 – only the upper nibble (D _[7:4]) is written into the device, D _[3:0] remains unaltered. CY7C11681KV18 – only the upper byte (D _[17:9]) is written into the device, D _[8:0] remains unaltered. |
| H | H | L-H | - | No data is written into the devices during this portion of a write operation. |
| H | H | - | L-H | No data is written into the devices during this portion of a write operation. |

Notes

- X = "Do not Care," H = Logic HIGH, L = Logic LOW, ↑ represents rising edge.
- Device powers up deselected with the outputs in a tristate condition.
- "A" represents address location latched by the devices when transaction was initiated. A + 1 represents the address sequence in the burst.
- "t" represents the cycle at which a read/write operation is started. t + 1 and t + 2 are the first and second clock cycles succeeding the "t" clock cycle.
- Data inputs are registered at K and $\overline{\text{K}}$ rising edges. Data outputs are delivered on K and $\overline{\text{K}}$ rising edges as well.
- Ensure that when clock is stopped K = K and C = C = HIGH. This is not essential, but permits most rapid restart by overcoming transmission line charging symmetrically.
- Is based on a write cycle that was initiated in accordance with the Write Cycle Description – CY7C11661KV18 and CY7C11681KV18 table. NWS₀, NWS₁, BWS₀, BWS₁, BWS₂, and BWS₃ can be altered on different portions of a write cycle, as long as the setup and hold requirements are achieved.

Write Cycle Descriptions – CY7C11771KV18

The write cycle description table for CY7C11771KV18 follows. [2, 8]

| \overline{BWS}_0 | K | \overline{K} | Comments |
|--------------------|-----|----------------|--|
| L | L–H | – | During the data portion of a write sequence, the single byte ($D_{[8:0]}$) is written into the device. |
| L | – | L–H | During the data portion of a write sequence, the single byte ($D_{[8:0]}$) is written into the device. |
| H | L–H | – | No data is written into the device during this portion of a write operation. |
| H | – | L–H | No data is written into the device during this portion of a write operation. |

Write Cycle Descriptions – CY7C11701KV18

The write cycle description table for CY7C11701KV18 follows. [2, 8]

| \overline{BWS}_0 | \overline{BWS}_1 | \overline{BWS}_2 | \overline{BWS}_3 | K | \overline{K} | Comments |
|--------------------|--------------------|--------------------|--------------------|-----|----------------|--|
| L | L | L | L | L–H | – | During the data portion of a write sequence, all four bytes ($D_{[35:0]}$) are written into the device. |
| L | L | L | L | – | L–H | During the data portion of a write sequence, all four bytes ($D_{[35:0]}$) are written into the device. |
| L | H | H | H | L–H | – | During the data portion of a write sequence, only the lower byte ($D_{[8:0]}$) is written into the device. $D_{[35:9]}$ remains unaltered. |
| L | H | H | H | – | L–H | During the data portion of a write sequence, only the lower byte ($D_{[8:0]}$) is written into the device. $D_{[35:9]}$ remains unaltered. |
| H | L | H | H | L–H | – | During the data portion of a write sequence, only the byte ($D_{[17:9]}$) is written into the device. $D_{[8:0]}$ and $D_{[35:18]}$ remains unaltered. |
| H | L | H | H | – | L–H | During the data portion of a write sequence, only the byte ($D_{[17:9]}$) is written into the device. $D_{[8:0]}$ and $D_{[35:18]}$ remains unaltered. |
| H | H | L | H | L–H | – | During the data portion of a write sequence, only the byte ($D_{[26:18]}$) is written into the device. $D_{[17:0]}$ and $D_{[35:27]}$ remains unaltered. |
| H | H | L | H | – | L–H | During the data portion of a write sequence, only the byte ($D_{[26:18]}$) is written into the device. $D_{[17:0]}$ and $D_{[35:27]}$ remains unaltered. |
| H | H | H | L | L–H | – | During the data portion of a write sequence, only the byte ($D_{[35:27]}$) is written into the device. $D_{[26:0]}$ remains unaltered. |
| H | H | H | L | – | L–H | During the data portion of a write sequence, only the byte ($D_{[35:27]}$) is written into the device. $D_{[26:0]}$ remains unaltered. |
| H | H | H | H | L–H | – | No data is written into the device during this portion of a write operation. |
| H | H | H | H | – | L–H | No data is written into the device during this portion of a write operation. |

IEEE 1149.1 Serial Boundary Scan (JTAG)

These SRAMs incorporate a serial boundary scan Test Access Port (TAP) in the FBGA package. This part is fully compliant with IEEE Standard #1149.1-2001. The TAP operates using JEDEC standard 1.8V I/O logic levels.

Disabling the JTAG Feature

It is possible to operate the SRAM without using the JTAG feature. To disable the TAP controller, TCK must be tied LOW (V_{SS}) to prevent clocking of the device. TDI and TMS are internally pulled up and may be unconnected. They may alternatively be connected to V_{DD} through a pull-up resistor. TDO must be left unconnected. Upon power-up, the device comes up in a reset state, which does not interfere with the operation of the device.

Test Access Port—Test Clock

The test clock is used only with the TAP controller. All inputs are captured on the rising edge of TCK. All outputs are driven from the falling edge of TCK.

Test Mode Select (TMS)

The TMS input is used to give commands to the TAP controller and is sampled on the rising edge of TCK. This pin may be left unconnected if the TAP is not used. The pin is pulled up internally, resulting in a logic HIGH level.

Test Data-In (TDI)

The TDI pin is used to serially input information into the registers and can be connected to the input of any of the registers. The register between TDI and TDO is chosen by the instruction that is loaded into the TAP instruction register. For information about loading the instruction register, see the [TAP Controller State Diagram](#) on page 11. TDI is internally pulled up and can be unconnected if the TAP is unused in an application. TDI is connected to the most significant bit (MSB) on any register.

Test Data-Out (TDO)

The TDO output pin is used to serially clock data out from the registers. The output is active, depending upon the current state of the TAP state machine (see [Instruction Codes](#) on page 14). The output changes on the falling edge of TCK. TDO is connected to the least significant bit (LSB) of any register.

Performing a TAP Reset

A Reset is performed by forcing TMS HIGH (V_{DD}) for five rising edges of TCK. This Reset does not affect the operation of the SRAM and can be performed while the SRAM is operating. At power-up, the TAP is reset internally to ensure that TDO comes up in a high z state.

TAP Registers

Registers are connected between the TDI and TDO pins to scan the data in and out of the SRAM test circuitry. Only one register can be selected at a time through the instruction registers. Data is serially loaded into the TDI pin on the rising edge of TCK. Data is output on the TDO pin on the falling edge of TCK.

Instruction Register

Three-bit instructions can be serially loaded into the instruction register. This register is loaded when it is placed between the TDI and TDO pins, as shown in [TAP Controller Block Diagram](#) on page 12. Upon power-up, the instruction register is loaded with the IDCODE instruction. It is also loaded with the IDCODE instruction if the controller is placed in a reset state, as described in the previous section.

When the TAP controller is in the Capture-IR state, the two least significant bits are loaded with a binary “01” pattern to allow for fault isolation of the board level serial test path.

Bypass Register

To save time when serially shifting data through registers, it is sometimes advantageous to skip certain chips. The bypass register is a single-bit register that can be placed between TDI and TDO pins. This enables shifting of data through the SRAM with minimal delay. The bypass register is set LOW (V_{SS}) when the BYPASS instruction is executed.

Boundary Scan Register

The boundary scan register is connected to all of the input and output pins on the SRAM. Several No Connect (NC) pins are also included in the scan register to reserve pins for higher density devices.

The boundary scan register is loaded with the contents of the RAM input and output ring when the TAP controller is in the Capture-DR state and is then placed between the TDI and TDO pins when the controller is moved to the Shift-DR state. The EXTEST, SAMPLE/PRELOAD, and SAMPLE Z instructions can be used to capture the contents of the input and output ring.

The [Boundary Scan Order](#) on page 15 shows the order in which the bits are connected. Each bit corresponds to one of the bumps on the SRAM package. The MSB of the register is connected to TDI, and the LSB is connected to TDO.

Identification (ID) Register

The ID register is loaded with a vendor-specific, 32-bit code during the Capture-DR state when the IDCODE command is loaded in the instruction register. The IDCODE is hardwired into the SRAM and can be shifted out when the TAP controller is in the Shift-DR state. The ID register has a vendor code and other information described in [Identification Register Definitions](#) on page 14.

TAP Instruction Set

Eight different instructions are possible with the three-bit instruction register. All combinations are listed in [Instruction Codes](#) on page 14. Three of these instructions are listed as RESERVED and must not be used. The other five instructions are described in this section in detail.

Instructions are loaded into the TAP controller during the Shift-IR state when the instruction register is placed between TDI and TDO. During this state, instructions are shifted through the instruction register through the TDI and TDO pins. To execute the instruction after it is shifted in, the TAP controller must be moved into the Update-IR state.

IDCODE

The IDCODE instruction loads a vendor-specific, 32-bit code into the instruction register. It also places the instruction register between the TDI and TDO pins and shifts the IDCODE out of the device when the TAP controller enters the Shift-DR state. The IDCODE instruction is loaded into the instruction register at power-up or whenever the TAP controller is supplied a Test-Logic-Reset state.

SAMPLE Z

The SAMPLE Z instruction connects the boundary scan register between the TDI and TDO pins when the TAP controller is in a Shift-DR state. The SAMPLE Z command puts the output bus into a high z state until the next command is supplied during the Update IR state.

SAMPLE/PRELOAD

SAMPLE/PRELOAD is a 1149.1 mandatory instruction. When the SAMPLE/PRELOAD instructions are loaded into the instruction register and the TAP controller is in the Capture-DR state, a snapshot of data on the input and output pins is captured in the boundary scan register.

The user must be aware that the TAP controller clock can only operate at a frequency up to 20 MHz, while the SRAM clock operates more than an order of magnitude faster. Because there is a large difference in the clock frequencies, it is possible that during the Capture-DR state, an input or output undergoes a transition. The TAP may then try to capture a signal while in transition (metastable state). This does not harm the device, but there is no guarantee as to the value that is captured. Repeatable results may not be possible.

To guarantee that the boundary scan register captures the correct value of a signal, the SRAM signal must be stabilized long enough to meet the TAP controller's capture setup plus hold times (t_{CS} and t_{CH}). The SRAM clock input might not be captured correctly if there is no way in a design to stop (or slow) the clock during a SAMPLE/PRELOAD instruction. If this is an issue, it is still possible to capture all other signals and simply ignore the value of the CK and \overline{CK} captured in the boundary scan register.

After the data is captured, it is possible to shift out the data by putting the TAP into the Shift-DR state. This places the boundary scan register between the TDI and TDO pins.

PRELOAD places an initial data pattern at the latched parallel outputs of the boundary scan register cells before the selection of another boundary scan test operation.

The shifting of data for the SAMPLE and PRELOAD phases can occur concurrently when required, that is, while the data captured is shifted out, the preloaded data can be shifted in.

BYPASS

When the BYPASS instruction is loaded in the instruction register and the TAP is placed in a Shift-DR state, the bypass register is placed between the TDI and TDO pins. The advantage of the BYPASS instruction is that it shortens the boundary scan path when multiple devices are connected together on a board.

EXTEST

The EXTEST instruction drives the preloaded data out through the system output pins. This instruction also connects the boundary scan register for serial access between the TDI and TDO in the Shift-DR controller state.

EXTEST OUTPUT BUS TRISTATE

IEEE Standard 1149.1 mandates that the TAP controller be able to put the output bus into a tristate mode.

The boundary scan register has a special bit located at bit #108. When this scan cell, called the "extest output bus tristate," is latched into the preload register during the Update-DR state in the TAP controller, it directly controls the state of the output (Q-bus) pins, when the EXTEST is entered as the current instruction. When HIGH, it enables the output buffers to drive the output bus. When LOW, this bit places the output bus into a high z condition.

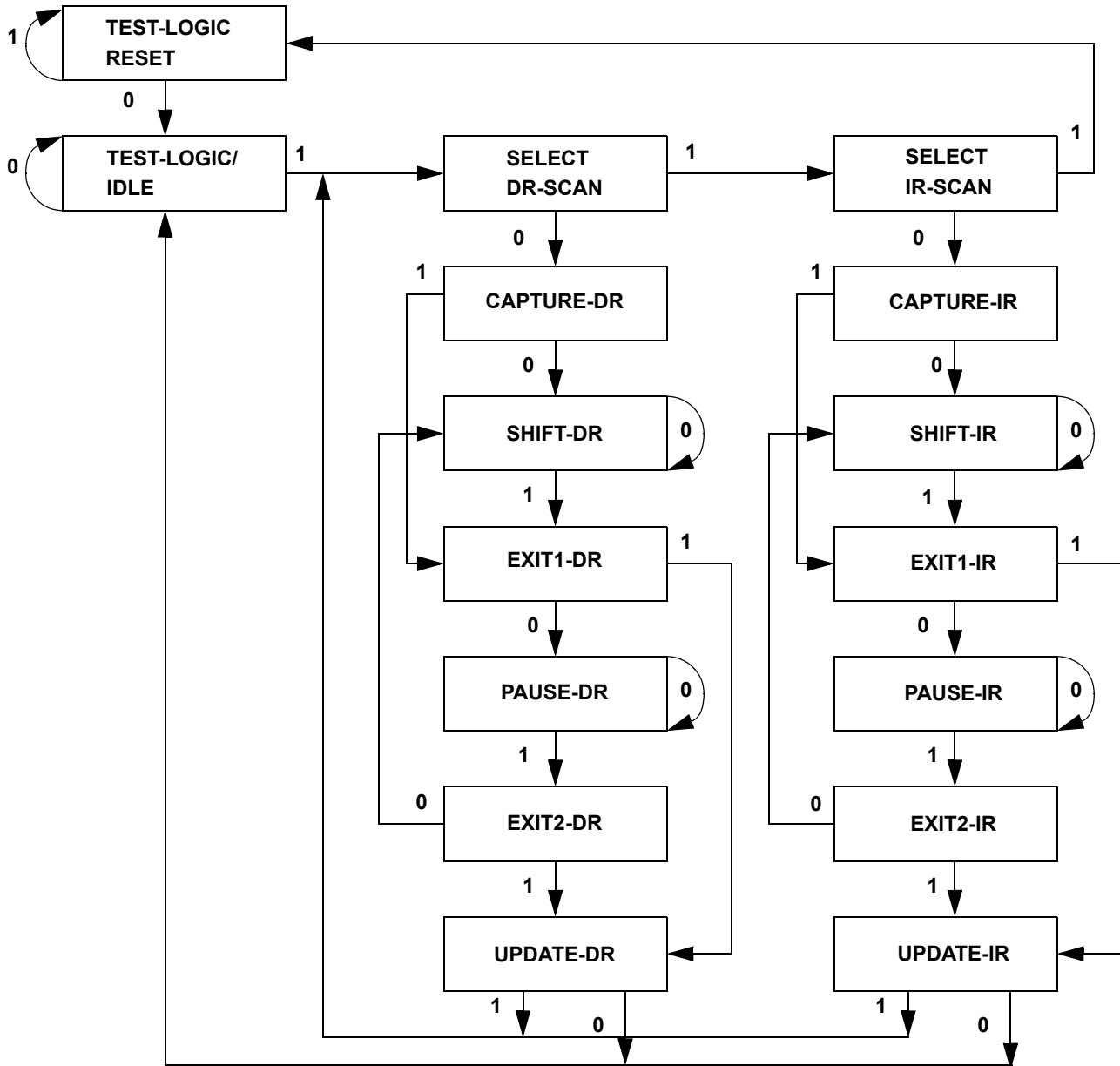
This bit can be set by entering the SAMPLE/PRELOAD or EXTEST command, and then shifting the desired bit into that cell, during the Shift-DR state. During Update-DR, the value loaded into that shift-register cell latches into the preload register. When the EXTEST instruction is entered, this bit directly controls the output Q-bus pins. Note that this bit is preset HIGH to enable the output when the device is powered-up, and also when the TAP controller is in the Test-Logic-Reset state.

Reserved

These instructions are not implemented but are reserved for future use. Do not use these instructions.

The state diagram for the TAP controller follows.^[9]

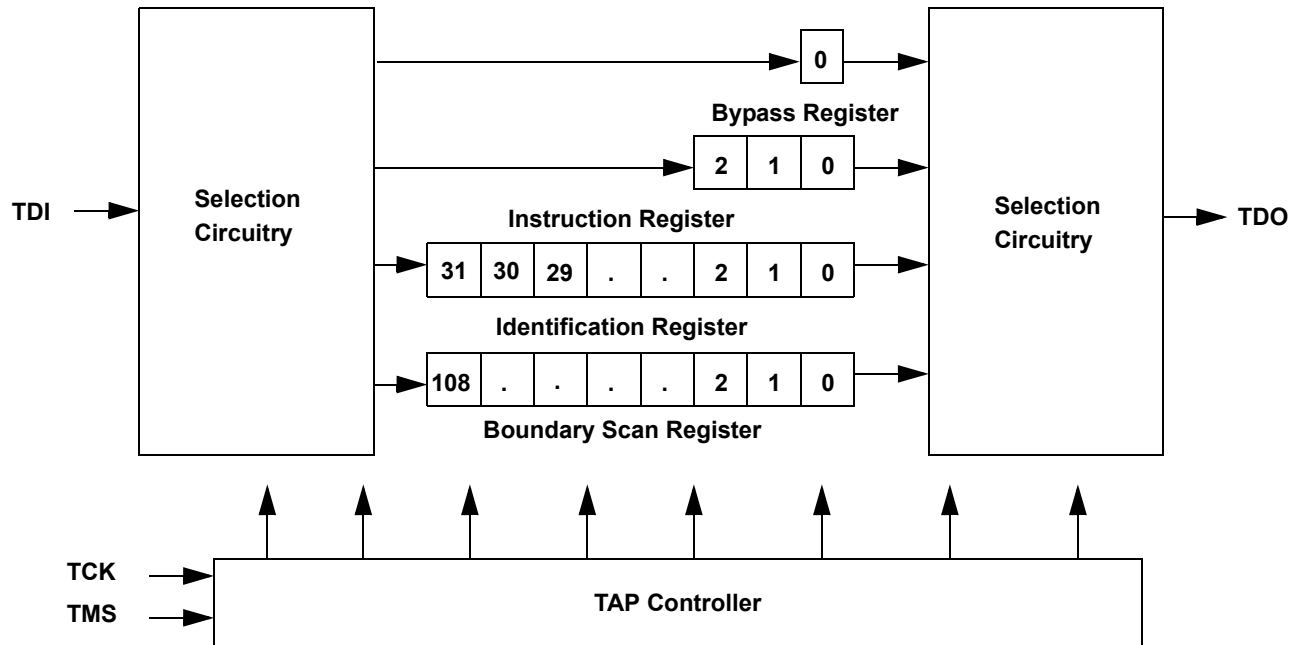
Figure 2. TAP Controller State Diagram



Note

9. The 0/1 next to each state represents the value at TMS at the rising edge of TCK.

Figure 3. TAP Controller Block Diagram



TAP Electrical Characteristics

Over the Operating Range^[10, 11, 12]

| Parameter | Description | Test Conditions | Min | Max | Unit |
|------------------|-------------------------------|--|----------------------|-----------------------|------|
| V _{OH1} | Output HIGH voltage | I _{OH} = -2.0 mA | 1.4 | | V |
| V _{OH2} | Output HIGH voltage | I _{OH} = -100 μA | 1.6 | | V |
| V _{OL1} | Output LOW voltage | I _{OL} = 2.0 mA | | 0.4 | V |
| V _{OL2} | Output LOW voltage | I _{OL} = 100 μA | | 0.2 | V |
| V _{IH} | Input HIGH voltage | | 0.65 V _{DD} | V _{DD} + 0.3 | V |
| V _{IL} | Input LOW voltage | | -0.3 | 0.35 V _{DD} | V |
| I _X | Input and output load current | GND ≤ V _I ≤ V _{DD} | -5 | 5 | μA |

Notes

10. These characteristics pertain to the TAP inputs (TMS, TCK, TDI and TDO). Parallel load levels are specified in the [DC Electrical Characteristics](#) Table.

11. Overshoot: V_{IH(AC)} < V_{DDQ} + 0.3 V (Pulse width less than t_{CYC/2}), Undershoot: V_{IL(AC)} > -0.3 V (Pulse width less than t_{CYC/2}).

12. All voltage referenced to ground.

TAP AC Switching Characteristics

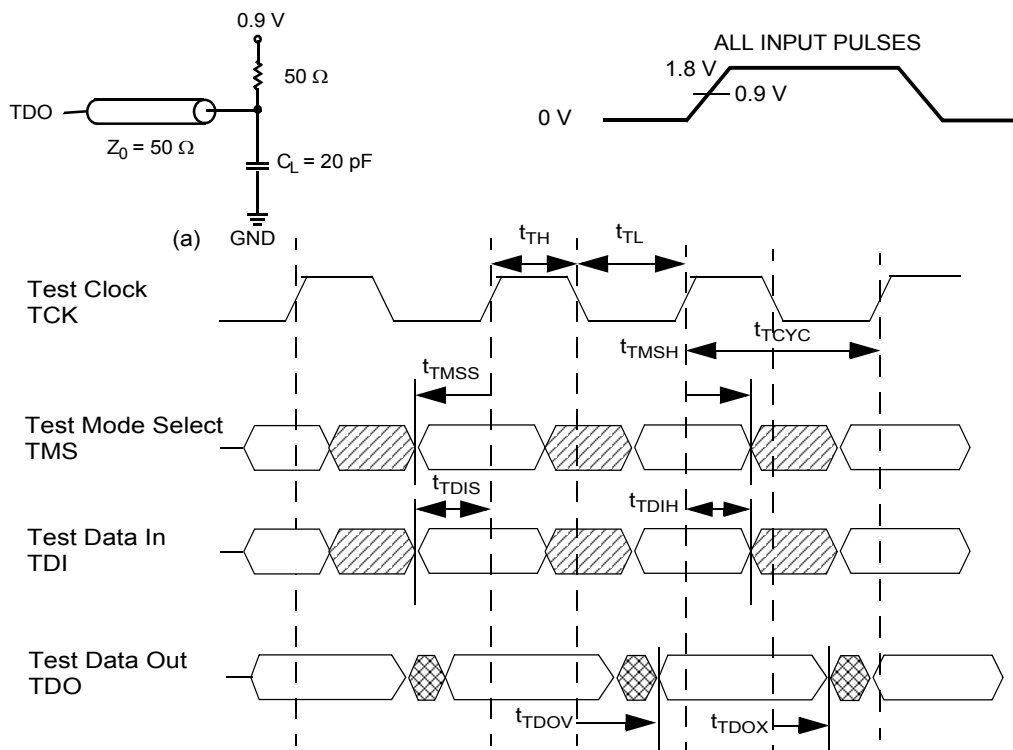
Over the operating range^[13, 14]

| Parameter | Description | Min | Max | Unit |
|---------------------|-------------------------------|-----|-----|------|
| t_{TCYC} | TCK clock cycle time | 50 | – | ns |
| t_{TF} | TCK clock frequency | – | 20 | MHz |
| t_{TH} | TCK clock HIGH | 20 | – | ns |
| t_{TL} | TCK clock LOW | 20 | – | ns |
| Setup Times | | | | |
| t_{TMSS} | TMS setup to TCK clock rise | 5 | – | ns |
| t_{TDIS} | TDI setup to TCK clock rise | 5 | – | ns |
| t_{CS} | Capture setup to TCK rise | 5 | – | ns |
| Hold Times | | | | |
| t_{TMSH} | TMS hold after TCK clock rise | 5 | – | ns |
| t_{TDIH} | TDI hold after clock rise | 5 | – | ns |
| t_{CH} | Capture hold after clock rise | 5 | – | ns |
| Output Times | | | | |
| t_{TDOV} | TCK clock LOW to TDO valid | – | 10 | ns |
| t_{TDOX} | TCK clock LOW to TDO invalid | 0 | – | ns |

TAP Timing and Test Conditions

Figure 4 shows the TAP timing and test conditions.^[14]

Figure 4. TAP Timing and Test Conditions



Notes

- t_{CS} and t_{CH} refer to the setup and hold time requirements of latching data from the boundary scan register.
- Test conditions are specified using the load in TAP AC Test Conditions. $t_R/t_F = 1$ ns.

Table 2. Identification Register Definitions

| Instruction Field | Value | | | | Description |
|---------------------------|-------------------|-------------------|-------------------|-------------------|--|
| | CY7C11661KV18 | CY7C11771KV18 | CY7C11681KV18 | CY7C11701KV18 | |
| Revision Number (31:29) | 000 | 000 | 000 | 000 | Version number. |
| Cypress Device ID (28:12) | 11010111000000100 | 11010111000001100 | 11010111000010100 | 11010111000100100 | Defines the type of SRAM. |
| Cypress JEDEC ID (11:1) | 00000110100 | 00000110100 | 00000110100 | 00000110100 | Allows unique identification of SRAM vendor. |
| ID Register Presence (0) | 1 | 1 | 1 | 1 | Indicates the presence of an ID register. |

Table 3. Scan Register Sizes

| Register Name | Bit Size |
|---------------|----------|
| Instruction | 3 |
| Bypass | 1 |
| ID | 32 |
| Boundary Scan | 109 |

Table 4. Instruction Codes

| Instruction | Code | Description |
|----------------|------|--|
| EXTEST | 000 | Captures the input and output ring contents. |
| IDCODE | 001 | Loads the ID register with the vendor ID code and places the register between TDI and TDO. This operation does not affect SRAM operation. |
| SAMPLE Z | 010 | Captures the input and output contents. Places the boundary scan register between TDI and TDO. Forces all SRAM output drivers to a high z state. |
| RESERVED | 011 | Do Not Use: This instruction is reserved for future use. |
| SAMPLE/PRELOAD | 100 | Captures the input and output ring contents. Places the boundary scan register between TDI and TDO. Does not affect the SRAM operation. |
| RESERVED | 101 | Do Not Use: This instruction is reserved for future use. |
| RESERVED | 110 | Do Not Use: This instruction is reserved for future use. |
| BYPASS | 111 | Places the bypass register between TDI and TDO. This operation does not affect SRAM operation. |

Table 5. Boundary Scan Order

| Bit # | Bump ID | Bit # | Bump ID | Bit # | Bump ID | Bit # | Bump ID |
|-------|---------|-------|---------|-------|---------|-------|----------|
| 0 | 6R | 28 | 10G | 56 | 6A | 84 | 1J |
| 1 | 6P | 29 | 9G | 57 | 5B | 85 | 2J |
| 2 | 6N | 30 | 11F | 58 | 5A | 86 | 3K |
| 3 | 7P | 31 | 11G | 59 | 4A | 87 | 3J |
| 4 | 7N | 32 | 9F | 60 | 5C | 88 | 2K |
| 5 | 7R | 33 | 10F | 61 | 4B | 89 | 1K |
| 6 | 8R | 34 | 11E | 62 | 3A | 90 | 2L |
| 7 | 8P | 35 | 10E | 63 | 2A | 91 | 3L |
| 8 | 9R | 36 | 10D | 64 | 1A | 92 | 1M |
| 9 | 11P | 37 | 9E | 65 | 2B | 93 | 1L |
| 10 | 10P | 38 | 10C | 66 | 3B | 94 | 3N |
| 11 | 10N | 39 | 11D | 67 | 1C | 95 | 3M |
| 12 | 9P | 40 | 9C | 68 | 1B | 96 | 1N |
| 13 | 10M | 41 | 9D | 69 | 3D | 97 | 2M |
| 14 | 11N | 42 | 11B | 70 | 3C | 98 | 3P |
| 15 | 9M | 43 | 11C | 71 | 1D | 99 | 2N |
| 16 | 9N | 44 | 9B | 72 | 2C | 100 | 2P |
| 17 | 11L | 45 | 10B | 73 | 3E | 101 | 1P |
| 18 | 11M | 46 | 11A | 74 | 2D | 102 | 3R |
| 19 | 9L | 47 | 10A | 75 | 2E | 103 | 4R |
| 20 | 10L | 48 | 9A | 76 | 1E | 104 | 4P |
| 21 | 11K | 49 | 8B | 77 | 2F | 105 | 5P |
| 22 | 10K | 50 | 7C | 78 | 3F | 106 | 5N |
| 23 | 9J | 51 | 6C | 79 | 1G | 107 | 5R |
| 24 | 9K | 52 | 8A | 80 | 1F | 108 | Internal |
| 25 | 10J | 53 | 7A | 81 | 3G | | |
| 26 | 11J | 54 | 7B | 82 | 2G | | |
| 27 | 11H | 55 | 6B | 83 | 1H | | |

Power-up Sequence in DDR II+ SRAM

DDR II+ SRAMs must be powered-up and initialized in a predefined manner to prevent undefined operations.

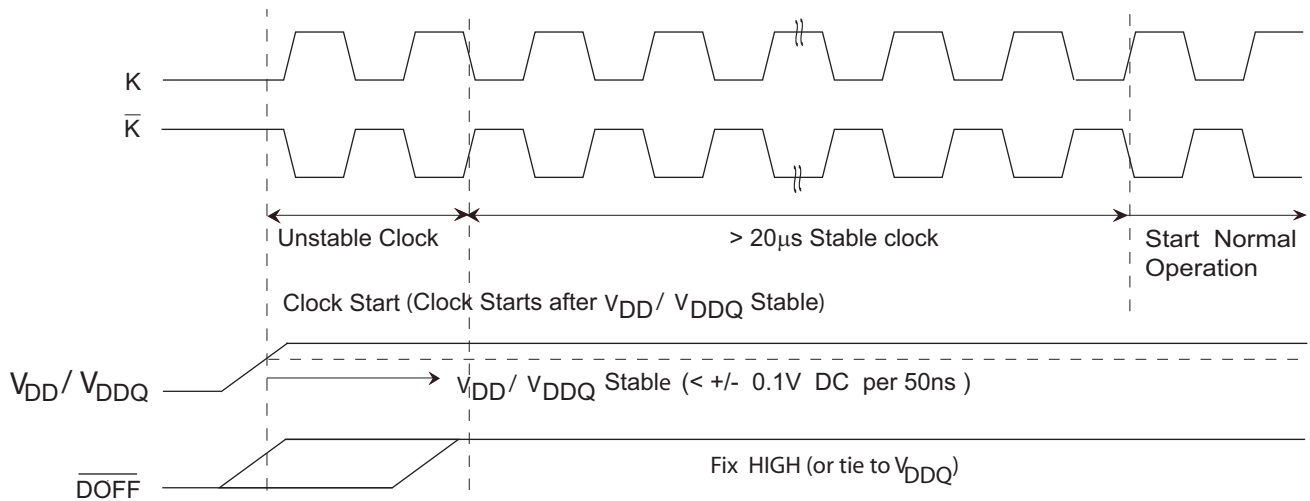
Power-up Sequence

- Apply power and drive $\overline{\text{DOFF}}$ either HIGH or LOW (All other inputs can be HIGH or LOW).
 - Apply V_{DD} before V_{DDQ} .
 - Apply V_{DDQ} before V_{REF} or at the same time as V_{REF} .
 - Drive $\overline{\text{DOFF}}$ HIGH.
- Provide stable $\overline{\text{DOFF}}$ (HIGH), power and clock (K, $\overline{\text{K}}$) for 20 μs to lock the PLL.

PLL Constraints

- PLL uses K clock as its synchronizing input. The input must have low phase jitter, which is specified as $t_{\text{KC Var}}$.
- The PLL functions at frequencies down to 120 MHz.
- If the input clock is unstable and the PLL is enabled, then the PLL may lock onto an incorrect frequency, causing unstable SRAM behavior. To avoid this, provide 20 μs of stable clock to relock to the desired clock frequency.

Figure 5. Power-up Waveforms



Maximum Ratings

Exceeding maximum ratings may shorten the useful life of the device. User guidelines are not tested.

Storage temperature -65 °C to +150 °C
 Ambient temperature with power applied . -55 °C to +125 °C
 Supply voltage on V_{DD} relative to GND -0.5 V to +2.9 V
 Supply voltage on V_{DDQ} relative to GND -0.5 V to +V_{DD}
 DC applied to outputs in high z -0.5 V to V_{DDQ} + 0.3 V
 DC input voltage^[11] -0.5 V to V_{DD} + 0.3 V
 Current into outputs (LOW) 20 mA
 Static discharge voltage (MIL-STD-883, M 3015)... > 2001 V
 Latch-up current > 200 mA

Operating Range

| Range | Ambient Temperature (T _A) | V _{DD} ^[15] | V _{DDQ} ^[15] |
|------------|---------------------------------------|---------------------------------|----------------------------------|
| Commercial | 0 °C to +70 °C | 1.8 ± 0.1 V | 1.4 V to V _{DD} |
| Industrial | -40 °C to +85 °C | | |

Electrical Characteristics

DC Electrical Characteristics

Over the Operating Range^[12]

| Parameter | Description | Test Conditions | Min | Typ | Max | Unit |
|----------------------|---|---|----------------------------|------|----------------------------|------|
| V _{DD} | Power supply voltage | | 1.7 | 1.8 | 1.9 | V |
| V _{DDQ} | I/O supply voltage | | 1.4 | 1.5 | V _{DD} | V |
| V _{OH} | Output HIGH voltage | Note 16 | V _{DDQ} /2 - 0.12 | - | V _{DDQ} /2 + 0.12 | V |
| V _{OL} | Output LOW voltage | Note 17 | V _{DDQ} /2 - 0.12 | - | V _{DDQ} /2 + 0.12 | V |
| V _{OH(LOW)} | Output HIGH voltage | I _{OH} = -0.1 mA, nominal impedance | V _{DDQ} - 0.2 | - | V _{DDQ} | V |
| V _{OL(LOW)} | Output LOW voltage | I _{OL} = 0.1 mA, nominal impedance | V _{SS} | - | 0.2 | V |
| V _{IH} | Input HIGH voltage | | V _{REF} + 0.1 | - | V _{DDQ} + 0.15 | V |
| V _{IL} | Input LOW voltage | | -0.15 | - | V _{REF} - 0.1 | V |
| I _X | Input leakage current | GND ≤ V _I ≤ V _{DDQ} | -2 | - | 2 | μA |
| I _{OZ} | Output leakage current | GND ≤ V _I ≤ V _{DDQ} , output disabled | -2 | - | 2 | μA |
| V _{REF} | Input reference voltage ^[18] | Typical value = 0.75 V | 0.68 | 0.75 | 0.95 | V |

Notes

15. Power-up: Assumes a linear ramp from 0 V to V_{DD(min)} within 200 ms. During this time V_{IH} < V_{DD} and V_{DDQ} ≤ V_{DD}.
 16. Outputs are impedance controlled. I_{OH} = -(V_{DDQ}/2)/(RQ/5) for values of 175 Ω ≤ RQ ≤ 350 Ω.
 17. Outputs are impedance controlled. I_{OL} = (V_{DDQ}/2)/(RQ/5) for values of 175 Ω ≤ RQ ≤ 350 Ω.
 18. V_{REF(min)} = 0.68 V or 0.46 V_{DDQ}, whichever is larger, V_{REF(max)} = 0.95 V or 0.54 V_{DDQ}, whichever is smaller.

Neutron Soft Error Immunity

| Parameter | Description | Test Conditions | Typ | Max* | Unit |
|-----------|---------------------------|-----------------|-----|------|---------|
| LSBU | Logical single-bit upsets | 25 °C | 197 | 216 | FIT/Mb |
| LMBU | Logical multi-bit upsets | 25 °C | 0 | 0.01 | FIT/Mb |
| SEL | Single event latch-up | 85 °C | 0 | 0.1 | FIT/Dev |

* No LMBU or SEL events occurred during testing; this column represents a statistical χ^2 , 95% confidence limit calculation. For more details refer to Application Note AN54908 "Accelerated Neutron SER Testing and Calculation of Terrestrial Failure Rates"

DC Electrical Characteristics (continued)

 Over the Operating Range^[12]

| Parameter | Description | Test Conditions | Min | Typ | Max | Unit | | |
|---------------------------------|----------------------------------|---|---------|-------|-----|------|-----|----|
| I _{DD} ^[19] | V _{DD} operating supply | V _{DD} = Max, I _{OUT} = 0 mA, f = f _{MAX} = 1/t _{CYC} | 550 MHz | (x8) | – | – | 740 | mA |
| | | | | (x9) | – | – | 740 | |
| | | | | (x18) | – | – | 760 | |
| | | | | (x36) | – | – | 970 | |
| | | | 500 MHz | (x8) | – | – | 690 | mA |
| | | | | (x9) | – | – | 690 | |
| | | | | (x18) | – | – | 700 | |
| | | | | (x36) | – | – | 890 | |
| | | | 450 MHz | (x8) | – | – | 630 | mA |
| | | | | (x9) | – | – | 630 | |
| | | | | (x18) | – | – | 650 | |
| | | | | (x36) | – | – | 820 | |
| | | | 400 MHz | (x8) | – | – | 580 | mA |
| | | | | (x9) | – | – | 580 | |
| | | | | (x18) | – | – | 590 | |
| | | | | (x36) | – | – | 750 | |
| I _{SB1} | Automatic power-down current | Max V _{DD} , both ports deselected, V _{IN} ≥ V _{IH} or V _{IN} ≤ V _{IL} f = f _{MAX} = 1/t _{CYC} , inputs static | 550 MHz | (x8) | – | – | 380 | mA |
| | | | | (x9) | – | – | 380 | |
| | | | | (x18) | – | – | 380 | |
| | | | | (x36) | – | – | 380 | |
| | | | 500 MHz | (x8) | – | – | 360 | mA |
| | | | | (x9) | – | – | 360 | |
| | | | | (x18) | – | – | 360 | |
| | | | | (x36) | – | – | 360 | |
| | | | 450 MHz | (x8) | – | – | 340 | mA |
| | | | | (x9) | – | – | 340 | |
| | | | | (x18) | – | – | 340 | |
| | | | | (x36) | – | – | 340 | |
| | | | 400 MHz | (x8) | – | – | 320 | mA |
| | | | | (x9) | – | – | 320 | |
| | | | | (x18) | – | – | 320 | |
| | | | | (x36) | – | – | 320 | |

Note

19. The operation current is calculated with 50% read cycle and 50% write cycle.

AC Electrical Characteristics

Over the operating range^[11]

| Parameter | Description | Test Conditions | Min | Typ | Max | Unit |
|-----------------|--------------------|-----------------|------------------------|-----|-------------------------|------|
| V _{IH} | Input HIGH voltage | | V _{REF} + 0.2 | – | V _{DDQ} + 0.24 | V |
| V _{IL} | Input LOW voltage | | –0.24 | – | V _{REF} – 0.2 | V |

Capacitance

Tested initially and after any design or process change that may affect these parameters.

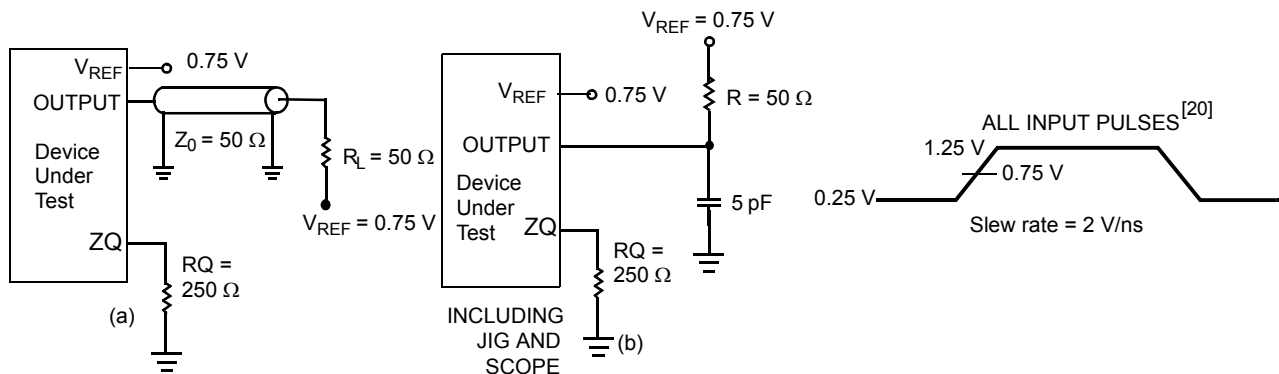
| Parameter | Description | Test Conditions | Max | Unit |
|-----------------|--------------------|--|-----|------|
| C _{IN} | Input capacitance | T _A = 25 °C, f = 1 MHz, V _{DD} = 1.8 V, V _{DDQ} = 1.5 V | 4 | pF |
| C _O | Output capacitance | | 4 | pF |

Thermal Resistance

Tested initially and after any design or process change that may affect these parameters.

| Parameter | Description | Test Conditions | 165-FBGA Package | Unit |
|-----------------|--|---|------------------|------|
| Θ _{JA} | Thermal resistance (junction to ambient) | Test conditions follow standard test methods and procedures for measuring thermal impedance, in accordance with EIA/JESD51. | 13.7 | °C/W |
| Θ _{JC} | Thermal resistance (junction to case) | | 3.73 | °C/W |

Figure 6. AC Test Loads and Waveforms



Note

20. Unless otherwise noted, test conditions assume signal transition time of 2 V/ns, timing reference levels of 0.75 V, V_{REF} = 0.75 V, R_Q = 250 Ω, V_{DDQ} = 1.5 V, input pulse levels of 0.25 V to 1.25 V, and output loading of the specified I_{OL}/I_{OH} and load capacitance shown in (a) of AC Test Loads and Waveforms.

Switching Characteristics

Over the operating range^[20, 21]

| Cypress Parameter | Consortium Parameter | Description | 550 MHz | | 500 MHz | | 450 MHz | | 400 MHz | | Unit |
|--|--|---|---------|------|---------|------|---------|------|---------|------|------|
| | | | Min | Max | Min | Max | Min | Max | Min | Max | |
| t _{POWER} | | V _{DD} (typical) to the first access ^[22] | 1 | – | 1 | – | 1 | – | 1 | – | ms |
| t _{CYC} | t _{KHKH} | K clock cycle time | 1.81 | 8.4 | 2.0 | 8.4 | 2.2 | 8.4 | 2.5 | 8.4 | ns |
| t _{KH} | t _{KHKL} | Input clock (K/K) HIGH | 0.4 | – | 0.4 | – | 0.4 | – | 0.4 | – | ns |
| t _{KL} | t _{KLKH} | Input clock (K/K) LOW | 0.4 | – | 0.4 | – | 0.4 | – | 0.4 | – | ns |
| t _{KHKH} | t _{KHKH} | K clock rise to K clock rise (rising edge to rising edge) | 0.77 | – | 0.85 | – | 0.94 | – | 1.06 | – | ns |
| Setup Times | | | | | | | | | | | |
| t _{SA} | t _{AVKH} | Address setup to K clock rise | 0.23 | – | 0.25 | – | 0.275 | – | 0.4 | – | ns |
| t _{SC} | t _{IVKH} | Control setup to K clock rise (LD, R/W) | 0.23 | – | 0.25 | – | 0.275 | – | 0.4 | – | ns |
| t _{SCDDR} | t _{IVKH} | Double data rate control setup to clock (K/K) Rise (BWS ₀ , BWS ₁ , BWS ₂ , BWS ₃) | 0.18 | – | 0.20 | – | 0.22 | – | 0.28 | – | ns |
| t _{SD} | t _{DVKH} | D _[X:0] setup to clock (K/K) rise | 0.18 | – | 0.20 | – | 0.22 | – | 0.28 | – | ns |
| Hold Times | | | | | | | | | | | |
| t _{HA} | t _{KHAX} | Address hold after K clock rise | 0.23 | – | 0.25 | – | 0.275 | – | 0.4 | – | ns |
| t _{HC} | t _{KHIX} | Control hold after K clock rise (LD, R/W) | 0.23 | – | 0.25 | – | 0.275 | – | 0.4 | – | ns |
| t _{HCDDR} | t _{KHIX} | Double data rate control hold after clock (K/K) rise (BWS ₀ , BWS ₁ , BWS ₂ , BWS ₃) | 0.18 | – | 0.20 | – | 0.22 | – | 0.28 | – | ns |
| t _{HD} | t _{KHDX} | D _[X:0] hold after clock (K/K) rise | 0.18 | – | 0.20 | – | 0.22 | – | 0.28 | – | ns |
| Output Times | | | | | | | | | | | |
| t _{CO} | t _{CHQV} | K/K clock rise to data valid | – | 0.45 | – | 0.45 | – | 0.45 | – | 0.45 | ns |
| t _{DOH} | t _{CHQX} | Data output hold after output K/K clock rise (active to active) | –0.45 | – | –0.45 | – | –0.45 | – | –0.45 | – | ns |
| t _{CCQO} | t _{CHCQV} | K/K clock rise to echo clock valid | – | 0.45 | – | 0.45 | – | 0.45 | – | 0.45 | ns |
| t _{CQOH} | t _{CHCQX} | Echo clock hold after K/K Clock rise | –0.45 | – | –0.45 | – | –0.45 | – | –0.45 | – | ns |
| t _{CQD} | t _{CQHCV} | Echo clock high to data valid | – | 0.15 | – | 0.15 | – | 0.15 | – | 0.20 | ns |
| t _{CQDOH} | t _{CQHCV} | Echo clock high to data invalid | –0.15 | – | –0.15 | – | –0.15 | – | –0.20 | – | ns |
| t _{CQH} | t _{CQHCQL} | Output clock (CQ/CQ) HIGH ^[23] | 0.655 | – | 0.75 | – | 0.85 | – | 1.00 | – | ns |
| t _{CQH\overline{CQ}} | t _{CQH\overline{CQ}} | CQ clock rise to CQ clock rise (rising edge to rising edge) ^[23] | 0.655 | – | 0.75 | – | 0.85 | – | 1.00 | – | ns |
| t _{CHZ} | t _{CHQZ} | Clock (K/K) rise to high Z (active to high z) ^[24, 25] | – | 0.45 | – | 0.45 | – | 0.45 | – | 0.45 | ns |
| t _{CLZ} | t _{CHQX1} | Clock (K/K) rise to low Z ^[24, 25] | –0.45 | – | –0.45 | – | –0.45 | – | –0.45 | – | ns |
| t _{QVLD} | t _{CQHCVLD} | Echo clock high to QVLD valid ^[26] | –0.15 | 0.15 | –0.15 | 0.15 | –0.15 | 0.15 | –0.20 | 0.20 | ns |
| PLL Timing | | | | | | | | | | | |
| t _{KC Var} | t _{KC Var} | Clock phase jitter | – | 0.15 | – | 0.15 | – | 0.15 | – | 0.20 | ns |
| t _{KC lock} | t _{KC lock} | PLL lock time (K) | 20 | – | 20 | – | 20 | – | 20 | – | μs |
| t _{KC Reset} | t _{KC Reset} | K static to PLL reset ^[27] | 30 | – | 30 | – | 30 | – | 30 | – | ns |

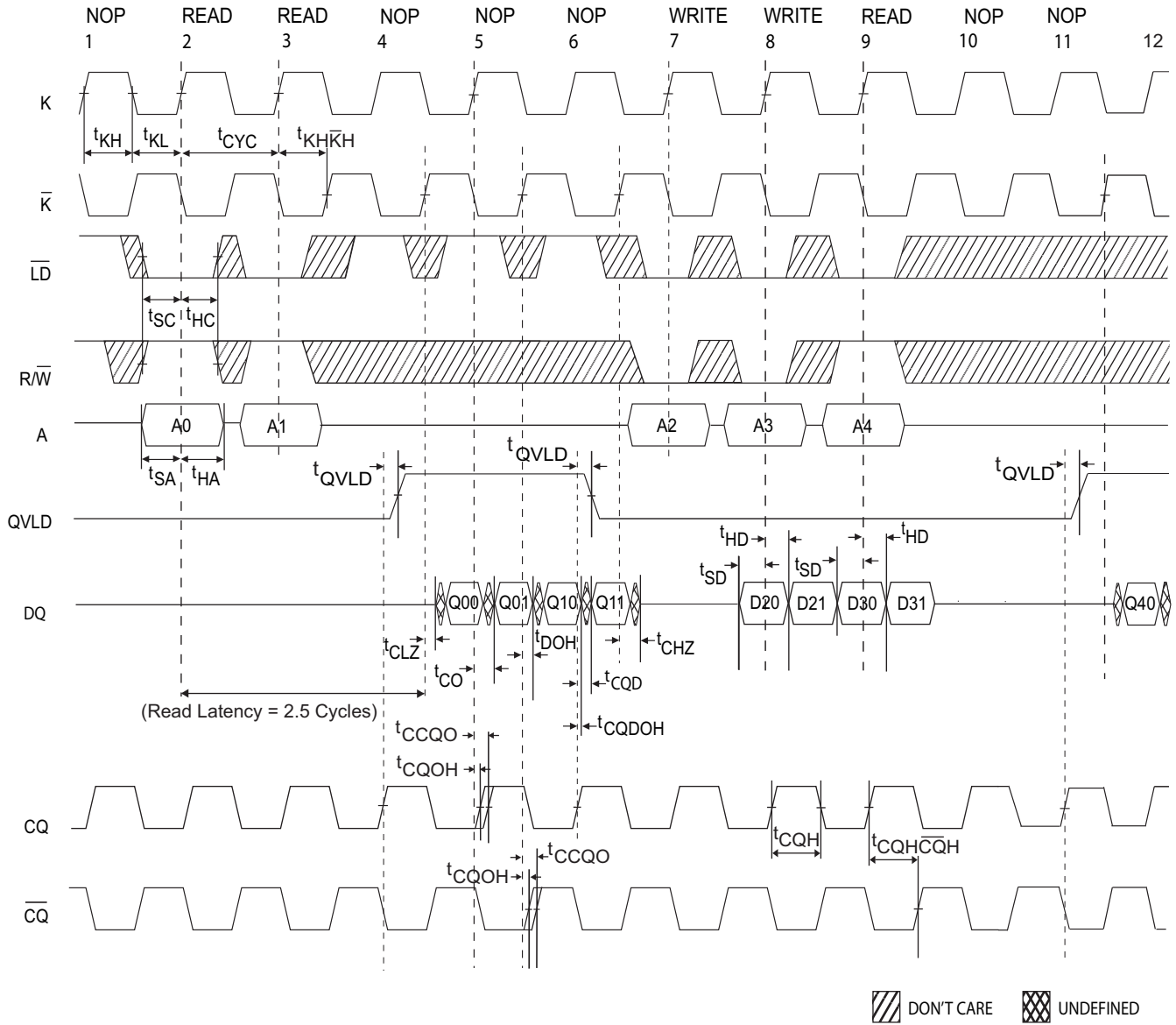
Notes

21. When a part with a maximum frequency above 400 MHz is operating at a lower clock frequency, it requires the input timings of the frequency range in which it is being operated and outputs data with the output timings of that frequency range.
22. This part has an internal voltage regulator; t_{POWER} is the time that the power is supplied above V_{DD} min initially before a read or write operation can be initiated.
23. These parameters are extrapolated from the input timing parameters (t_{CYC}/2 – 250 ps, where 250 ps is the internal jitter). These parameters are only guaranteed by design and are not tested in production.
24. t_{CHZ}, t_{CLZ} are specified with a load capacitance of 5 pF as in (b) of [AC Test Loads and Waveforms](#). Transition is measured ±100 mV from steady-state voltage.
25. At any voltage and temperature t_{CHZ} is less than t_{CLZ} and t_{CHZ} less than t_{CO}.
26. t_{QVLD} specification is applicable for both rising and falling edges of QVLD signal.
27. Hold to >V_{IH} or <V_{IL}.

Switching Waveforms

Read/Write/Deselect Sequence^[28, 29, 30]

Figure 7. Waveform for 2.5 Cycle Read Latency



Notes

28. Q00 refers to output from address A0. Q01 refers to output from the next internal burst address following A0, that is, A0 + 1.

29. Outputs are disabled (high z) one clock cycle after a NOP.

30. In this example, if address A4 = A3, then data Q40 = D30 and Q41 = D31. Write data is forwarded immediately as read results. This note applies to the whole diagram.

Ordering Information

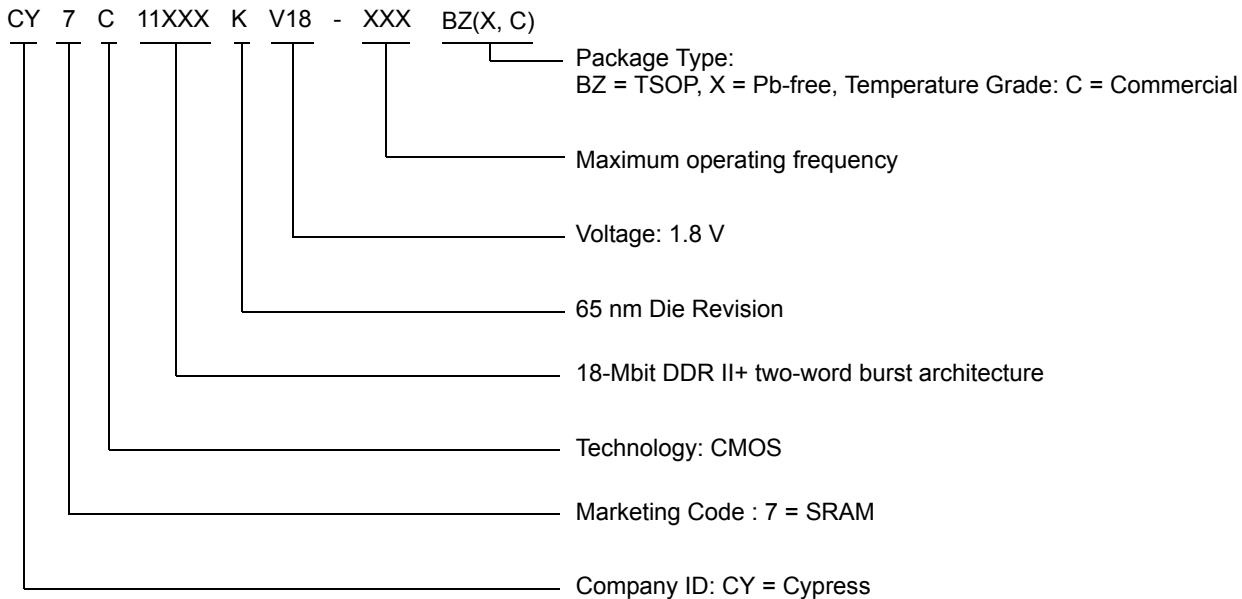
Cypress offers other versions of this type of product in many different configurations and features. The following table contains only the list of parts that are currently available.

For a complete listing of all options, visit the Cypress website at www.cypress.com and refer to the product summary page at <http://www.cypress.com/products> or contact your local sales representative. Cypress maintains a worldwide network of offices, solution centers, manufacturer's representatives, and distributors. To find the office closest to you, visit us at <http://www.cypress.com/go/datasheet/offices>.

Table 6. Ordering Information

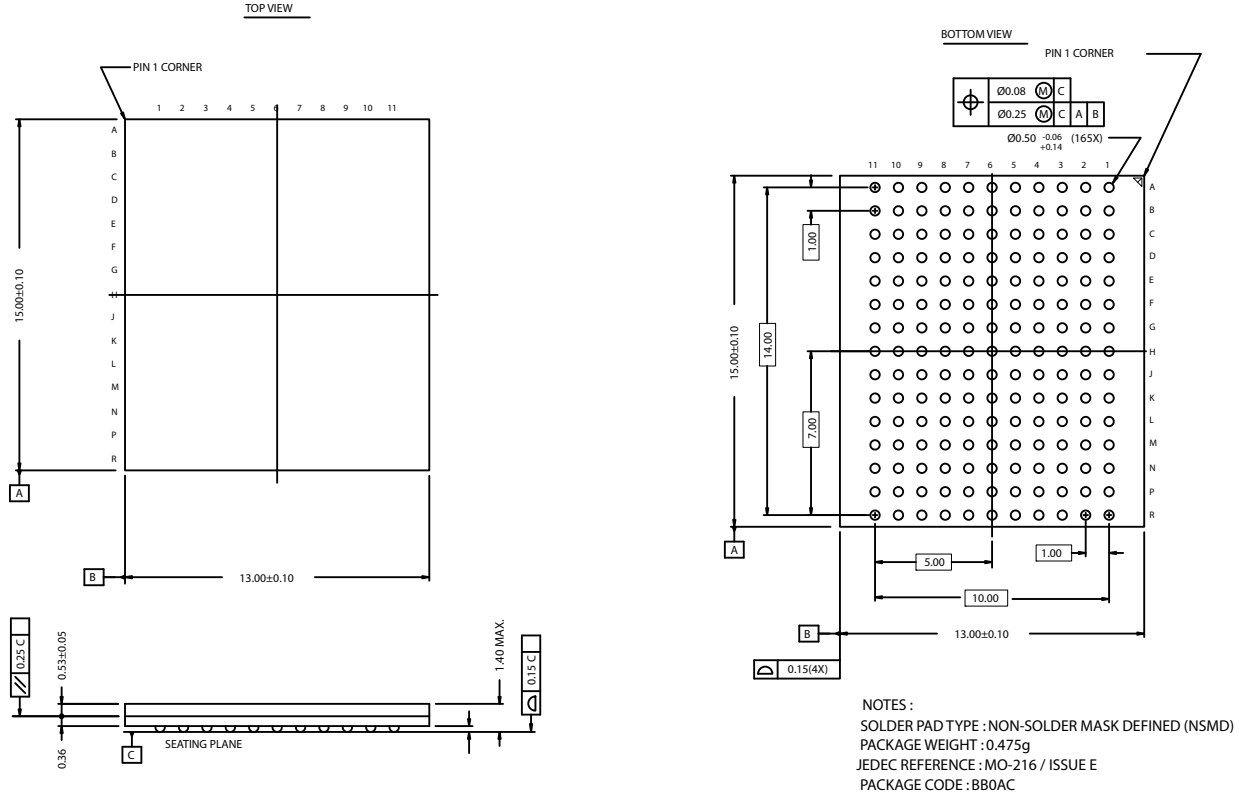
| Speed (MHz) | Ordering Code | Package Diagram | Package Type | Operating Range |
|-------------|-----------------------|-----------------|--|-----------------|
| 450 | CY7C11681KV18-450BZC | 51-85180 | 165-Ball FBGA (13 × 15 × 1.4 mm) | Commercial |
| | CY7C11681KV18-450BZXC | | 165-Ball FBGA (13 × 15 × 1.4 mm) Pb-free | |
| | CY7C11701KV18-450BZXC | | 165-Ball FBGA (13 × 15 × 1.4 mm) Pb-free | |
| 400 | CY7C11681KV18-400BZC | 51-85180 | 165-Ball FBGA (13 × 15 × 1.4 mm) | Commercial |
| | CY7C11701KV18-400BZXC | | 165-Ball FBGA (13 × 15 × 1.4 mm) Pb-free | |
| | CY7C11681KV18-400BZXC | | | |

Ordering Code Definitions



Package Diagram

Figure 8. 165-Ball FBGA (13 × 15 × 1.4 mm), 51-85180



51-85180 *C

Acronyms

| Acronym | Description |
|---------|---|
| DDR | double data rate |
| FBGA | fine-pitch ball grid array |
| HSTL | high speed transceiver logic |
| JEDEC | joint electron device engineering council |
| JTAG | joint test action group |
| LMBU | logical multiple-bit upset |
| LSBU | logical single-bit upset |
| PLL | phase-locked loop |
| QDR | quad data rate |
| SEL | single event latch-up |
| TAP | test access port |
| TCK | test clock |
| TDI | test data in |
| TDO | test data out |
| TMS | test mode select |

Document Conventions

Units of Measure

| Symbol | Unit of Measure |
|--------|-----------------|
| °C | degree Celsius |
| MHz | megahertz |
| μA | micro amperes |
| mA | milliamperes |
| ns | nano seconds |
| Ω | ohms |
| pF | pico Farad |
| V | volts |
| W | watts |

Document History Page

| Document Title: CY7C11661KV18/CY7C11771KV18/CY7C11681KV18/CY7C11701KV18, 18-Mbit DDR II+ SRAM Two-Word Burst Architecture (2.5 Cycle Read Latency) Document Number: 001-53199 | | | | |
|--|---------|----------------|-----------------|---|
| Revision | ECN | Orig of Change | Submission Date | Description of Change |
| ** | 2702744 | VKN/PYRS | 05/06/09 | New datasheet |
| *A | 2747707 | VKN/AESA | 08/03/2009 | Converted from preliminary to final For 550 MHz, 500 MHz, and 450 MHz bins, changed t_{CO} , t_{CCQO} , t_{CHZ} to 450 ps and t_{DOH} , t_{CQOH} , t_{CLZ} to -450 ps Included Soft Error Immunity Data Modified Ordering Information table by including parts that are available and modified the disclaimer for the Ordering information |
| *B | 2761928 | AJU | 09/10/2009 | Post to external web |
| *C | 2767155 | VKN | 09/23/2009 | Changed Input Capacitance (C_{IN}) from 2 pF to 4 pF Changed Output Capacitance (C_O) from 3 pF to 4 pF Modified Ordering code disclaimer |
| *D | 2785104 | VKN | 10/16/2009 | Updated Ordering information table |
| *E | 2855911 | VKN | 01/18/2010 | Included "CY7C11701KV18-400BZXC" part in the Ordering information table Updated package outline diagram Added Contents. |
| *F | 2896003 | NJY | 03/19/2010 | Removed inactive parts from Ordering Information . Updated package diagram. Updated links in Sales, Solutions, and Legal Information . |
| *G | 2950522 | CS/NJY | 08/16/10 | Added partnumber CY7C11701KV18-450BZXC and CY7C11701KV18-400BZXC to the ordering information table. Template update. Added ordering code definitions, acronyms, and units of measure. |
| *H | 3056557 | NJY | 10/12/2010 | Added new CY7C11681KV18-400BZXC part number to the Ordering Information table. |

Sales, Solutions, and Legal Information

Worldwide Sales and Design Support

Cypress maintains a worldwide network of offices, solution centers, manufacturer's representatives, and distributors. To find the office closest to you, visit us at [Cypress Locations](#).

Products

| | |
|--|--|
| Automotive | cypress.com/go/automotive |
| Clocks & Buffers | cypress.com/go/clocks |
| Interface | cypress.com/go/interface |
| Lighting & Power Control | cypress.com/go/powerpsoc cypress.com/go/plc |
| Memory | cypress.com/go/memory |
| Optical & Image Sensing | cypress.com/go/image |
| PSoC | cypress.com/go/psoc |
| Touch Sensing | cypress.com/go/touch |
| USB Controllers | cypress.com/go/USB |
| Wireless/RF | cypress.com/go/wireless |

PSoC Solutions

psoc.cypress.com/solutions
PSoC 1 | PSoC 3 | PSoC 5

© Cypress Semiconductor Corporation, 2009-2010. The information contained herein is subject to change without notice. Cypress Semiconductor Corporation assumes no responsibility for the use of any circuitry other than circuitry embodied in a Cypress product. Nor does it convey or imply any license under patent or other rights. Cypress products are not warranted nor intended to be used for medical, life support, life saving, critical control or safety applications, unless pursuant to an express written agreement with Cypress. Furthermore, Cypress does not authorize its products for use as critical components in life-support systems where a malfunction or failure may reasonably be expected to result in significant injury to the user. The inclusion of Cypress products in life-support systems application implies that the manufacturer assumes all risk of such use and in doing so indemnifies Cypress against all charges.

Any Source Code (software and/or firmware) is owned by Cypress Semiconductor Corporation (Cypress) and is protected by and subject to worldwide patent protection (United States and foreign), United States copyright laws and international treaty provisions. Cypress hereby grants to licensee a personal, non-exclusive, non-transferable license to copy, use, modify, create derivative works of, and compile the Cypress Source Code and derivative works for the sole purpose of creating custom software and or firmware in support of licensee product to be used only in conjunction with a Cypress integrated circuit as specified in the applicable agreement. Any reproduction, modification, translation, compilation, or representation of this Source Code except as specified above is prohibited without the express written permission of Cypress.

Disclaimer: CYPRESS MAKES NO WARRANTY OF ANY KIND, EXPRESS OR IMPLIED, WITH REGARD TO THIS MATERIAL, INCLUDING, BUT NOT LIMITED TO, THE IMPLIED WARRANTIES OF MERCHANTABILITY AND FITNESS FOR A PARTICULAR PURPOSE. Cypress reserves the right to make changes without further notice to the materials described herein. Cypress does not assume any liability arising out of the application or use of any product or circuit described herein. Cypress does not authorize its products for use as critical components in life-support systems where a malfunction or failure may reasonably be expected to result in significant injury to the user. The inclusion of Cypress' product in a life-support systems application implies that the manufacturer assumes all risk of such use and in doing so indemnifies Cypress against all charges.

Use may be limited by and subject to the applicable Cypress software license agreement.