

SS Coils, SS26V Type

Overview

The KEMET SS Coils, SS26V Type AC line filters are offered in a wide variety of sizes and specifications.

Applications

Benefits

- Wide variety of sizes and specifications

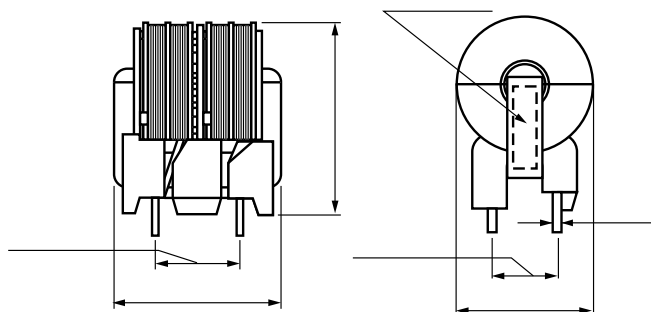
- DC Resistances as low as 0.10 Ω

Part Number System

SS	26	V-	R	05	1170

Dimensions – Millimeters

SS26V



Size Comparison with SS28V Type



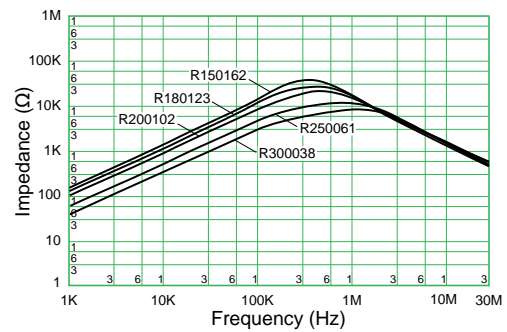
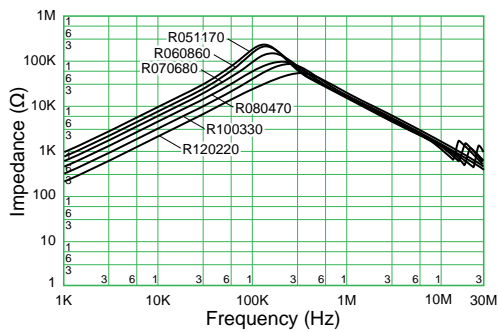
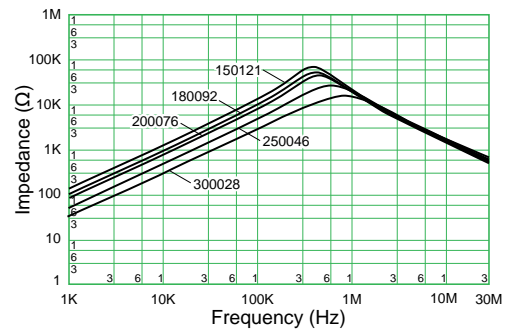
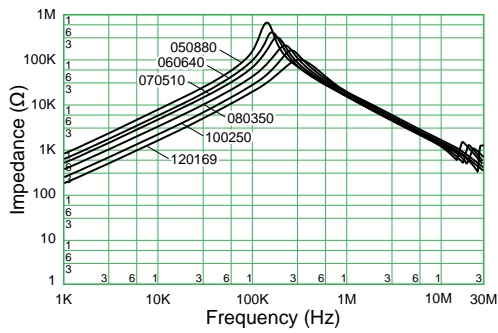
Table 1 – Ratings & Part Number Reference



Specifications

Item	SS26V
	> 100 MΩ at 500 VDC (between lines)
	-25°C to T (T = 120 – temperature rise)

Frequency Characteristics



Notes on Use

Shelf Life

Use within 6 months. If the product is used after a storage period of 6 months or longer, confirm its solderability

Storage Condition

Avoid storage near strong magnetic field, as such condition may magnetize the product.

KEMET Electronic Corporation Sales Offices

For a complete list of our global sales offices, please visit www.kemet.com/sales.

Disclaimer

All product specifications, statements, information and data (collectively, the "Information") in this datasheet are subject to change. The customer is responsible for

Statements of suitability for certain applications are based on KEMET Electronics Corporation's ("KEMET") knowledge of typical operating conditions for such applications, but are not intended to constitute – and KEMET specifically disclaims – any warranty concerning suitability for a specific customer application or use.
