

CKCL22X7R1H473M085AA

TDK Item Description : CKCL22X7R1H473MT****

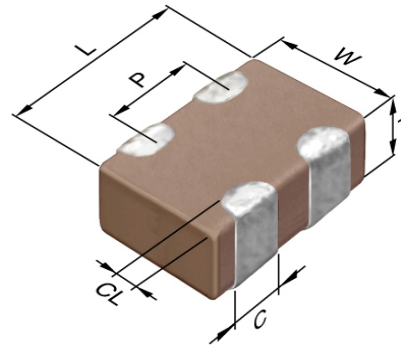


Application & Main Feature

Commercial Grade (2 in 1 Array)

Series

CKCL22(2012) [EIA CC0805]



Dimensions

L 2.00mm +/-0.15mm
 W 1.25mm +/-0.15mm
 T 0.85mm +/-0.15mm
 C 0.45mm Nom.
 P 1.00mm Nom.

Temperature Characteristic

X7R (-55 to 125 degC +/-15%)

Rated Voltage

1H (50Vdc)

Capacitance

47nF

Capacitance Tolerance

M (+/-20%)

Dissipation Factor

3% Max.

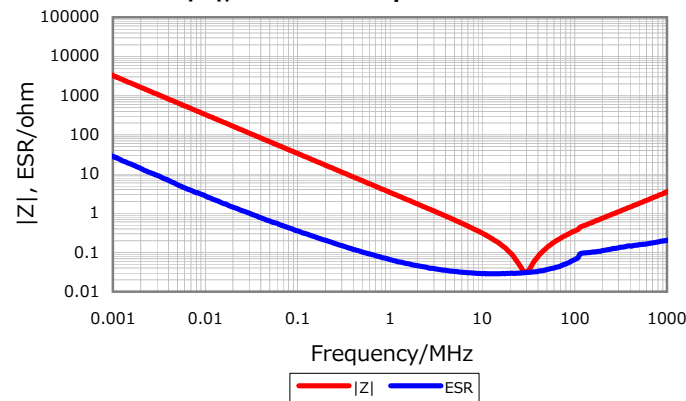
Insulation Resistance

10Gohm Min.

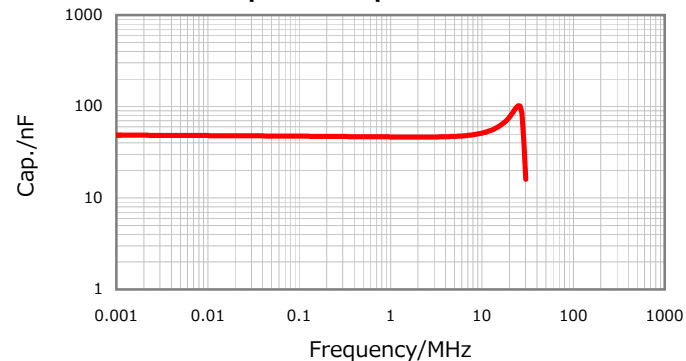
AEC-Q200

Not Applicable

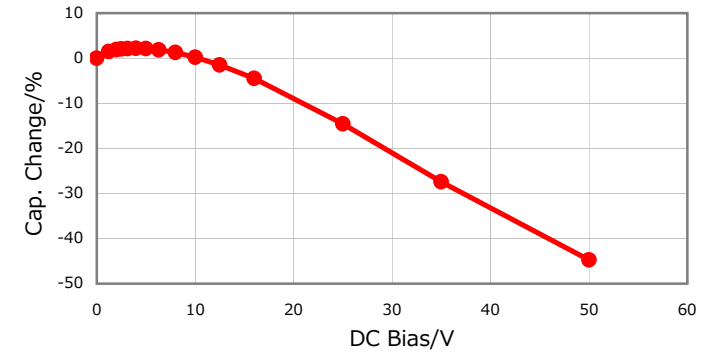
|Z|, ESR vs. Freq. Characteristics



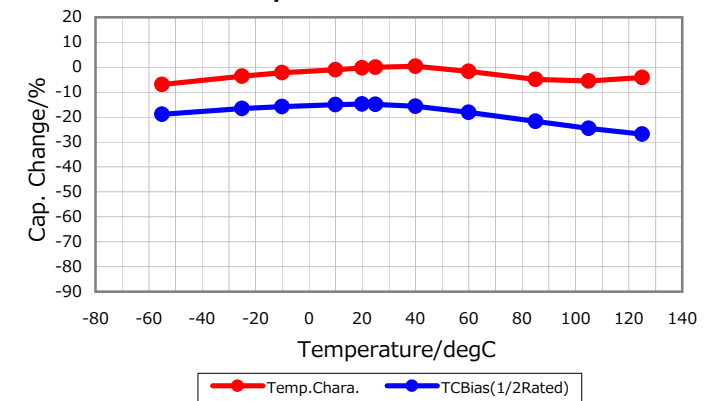
Cap. vs. Freq. Characteristic



DC Bias Characteristic



Temperature Characteristics



Ripple Temperature Rise Characteristics

